

Pfaff  
Mauser Spezial 9751

---

**PFAFF**<sup>®</sup>

**MAUSER  
SPEZIAL<sup>®</sup> 9751**

## **Bestandteilleliste**

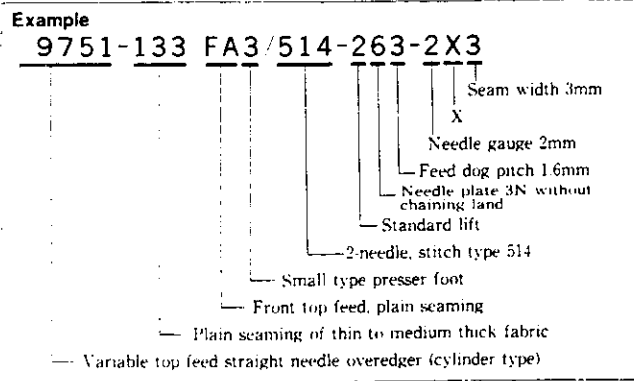
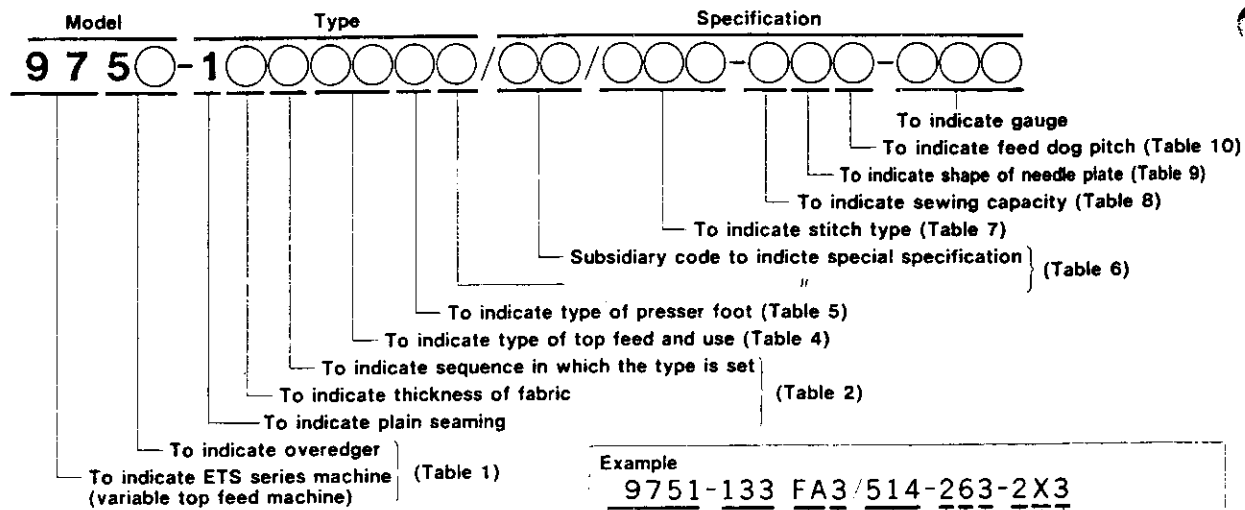
List of spare parts

Liste de pièces détachées

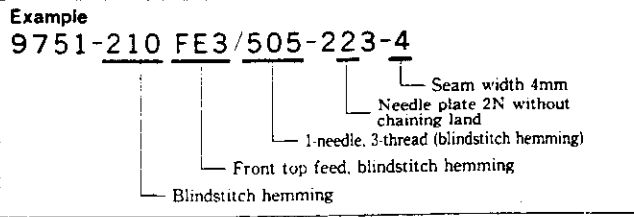
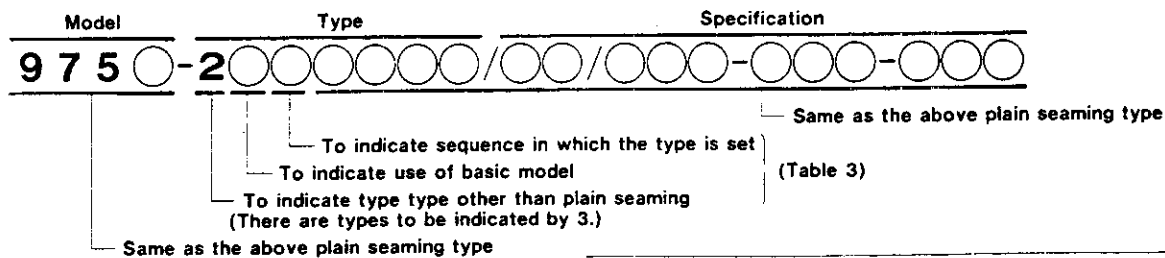
Lista de piezas de repuesto

# TYPE INDICATION METHOD FOR 9752, AND 9751

## Indication Method for Plain Seaming Type



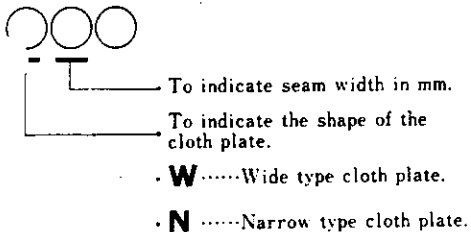
## Indication Method for Type Other Than Plain Seaming



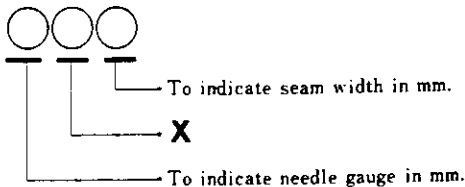
Note) The basic model for 9752 is 9651.  
The basic model for 9751 is 9652.

## Method of Indicating Gauge

**1-needle:** Using two figures, indication is made, as follows:



**2-needle:** Using three figures, indication is made, as follows:



**Code No. and meaning of model** Table 1

Code No.	Meaning
9752	Variable top feed overedger (standard type)
9751	Variable top feed overedger (cylinder type)

**Code No. and Meaning of Plain Seaming Type** Table 2

Code No.	Meaning
11○	Plain seaming of extra-light weight fabric
12○	Plain seaming of light to medium weight fabrics
13○	Plain seaming of light to medium weight fabrics
14○	Plain seaming of heavy weight fabric
15○	Plain seaming of extra-heavy weight fabric
18○	Babk-latching
19○	Special (cup-seaming)

**Code No. and Meaning of Type Other Than Plain Seaming** Table 3

Code No.	Meaning
21○	Blindstitch hemming
22○	Serging
23○	Turn-down hemming
24○	Shirring
25○	Tape inserting
26○	Zipper attaching
27○	Toe-closing
28○	—
29○	Special (lace runner)
35○	Piping

**Code No. and meaning of top feed type** Table 4

Code No.	Meaning
FA	Front top feed
FB	" for thick fabric (adding fullness)
FC	" for piping
FD	" for shirring
FE	" for blindstitch hemming
BA	Rear top feed, for blindstitch hemming
BC	" for piping

**Code No. and meaning of presser foot** Table 5

Code No.	Meaning
2	Standard type
3	Small type

**Subsidiary code No. and meaning** Table 6

Code No.	Meaning
K	Angled upper knife is used. (differs in upper knife)
P <sub>2</sub>	Piping binder is attached.
P <sub>1</sub>	Piping binder is attachable. (Piping binder is available on order.)
S <sub>2</sub>	Shirring device is attached.
S <sub>1</sub>	Shirring device is attachable. (Shirring device is available on order.)

**Code No. and Meaning of Seam Type** Table 7

Code No.	Meaning
504	1-needle, 3-thread
505	1-needle, 3-thread (blindstitch hemming)
503	1-needle, 2-thread (serging)
512	2-needle, mock-safety stitch
514	2-needle, 514 stitch

**Code No. and Meaning of Sewing Capacity** Table 8

Code No.	Meaning
1	Low lift
2	Standard lift
3	High lift
4	Extra-high lift

**Code No. and Meaning of Needle Plate** Table 9

Code No.	Meaning
0	1-row or plain
1	With 2N chaining land
2	Without 2N chaining land
3	With 2W chaining land
4	Without 2W chaining land
5	With 3N chaining land
6	Without 3N chaining land
7	With 3W chaining land
8	Without 3W chaining land
9	Special type

**Code No. and Meaning of Feed Dog Pitch** Table 10

Code No.	Meaning
0	With rubber, special
1	Feed dog pitch 1.0 mm
2	Feed dog pitch 1.25 mm
3	Feed dog pitch 1.6 mm
4	Feed dog pitch 2.0 mm
5	Feed dog pitch 2.5 mm
6	Feed dog pitch 3.0 mm

**Achtung!**

Ersatzteile bitte nur mit den im Index aufgeführten PFAFF-NUMMERN Bestellen (siehe Seiten 53 bis 55).

**Important!**

Veillez commander les pièces de rechange uniquement avec leur référence complete précisée à l'index (pages 53 à 55).

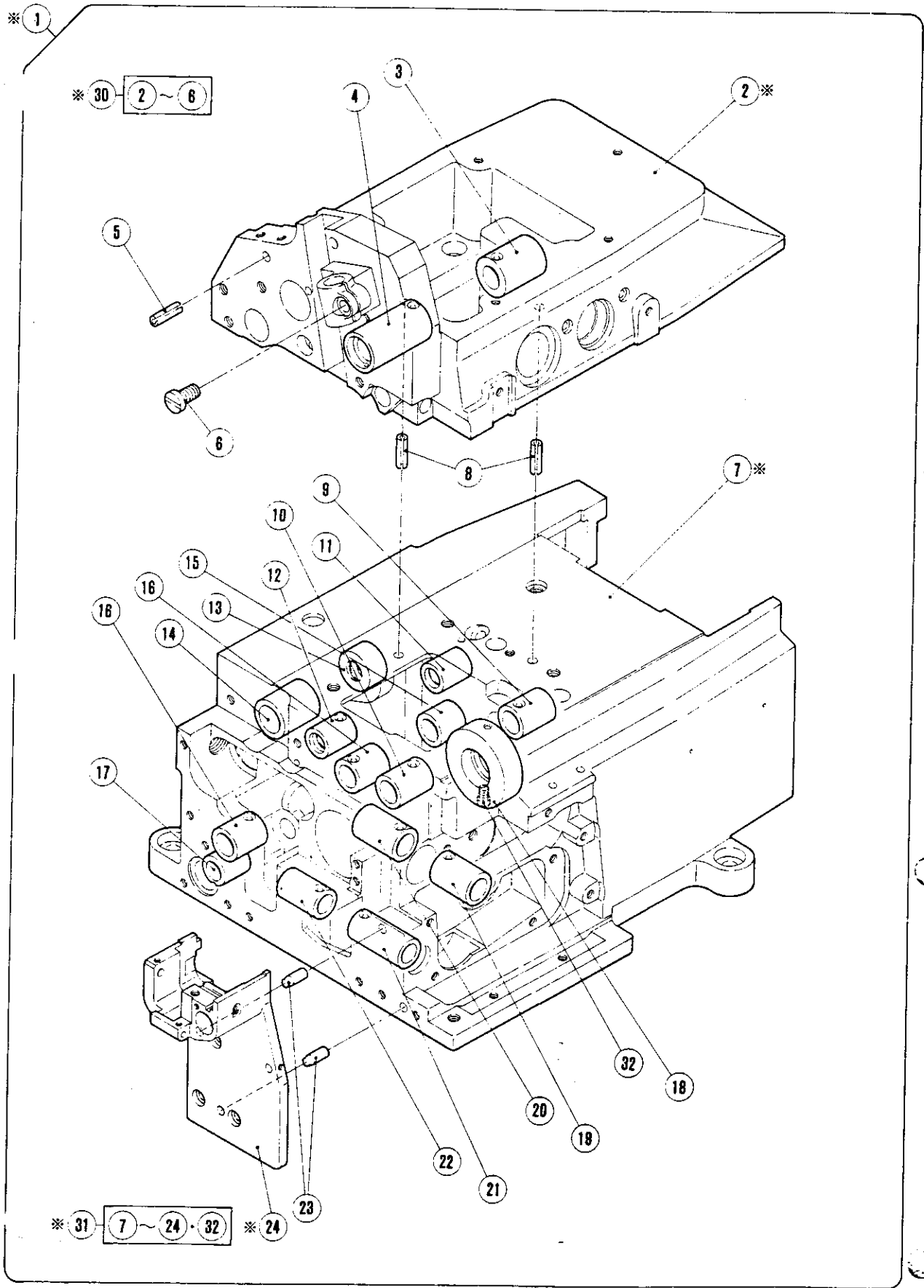
**Important note:**

For spare part orders please only use the PFAFF-NUMBERS listed in the index (pages 53 to 55).

**Atencion!**

Sirvanse hacer sus pedidos sólo con los NUMEROS-PFAFF indicados en el indice (véanse las páginas 53 à 55).

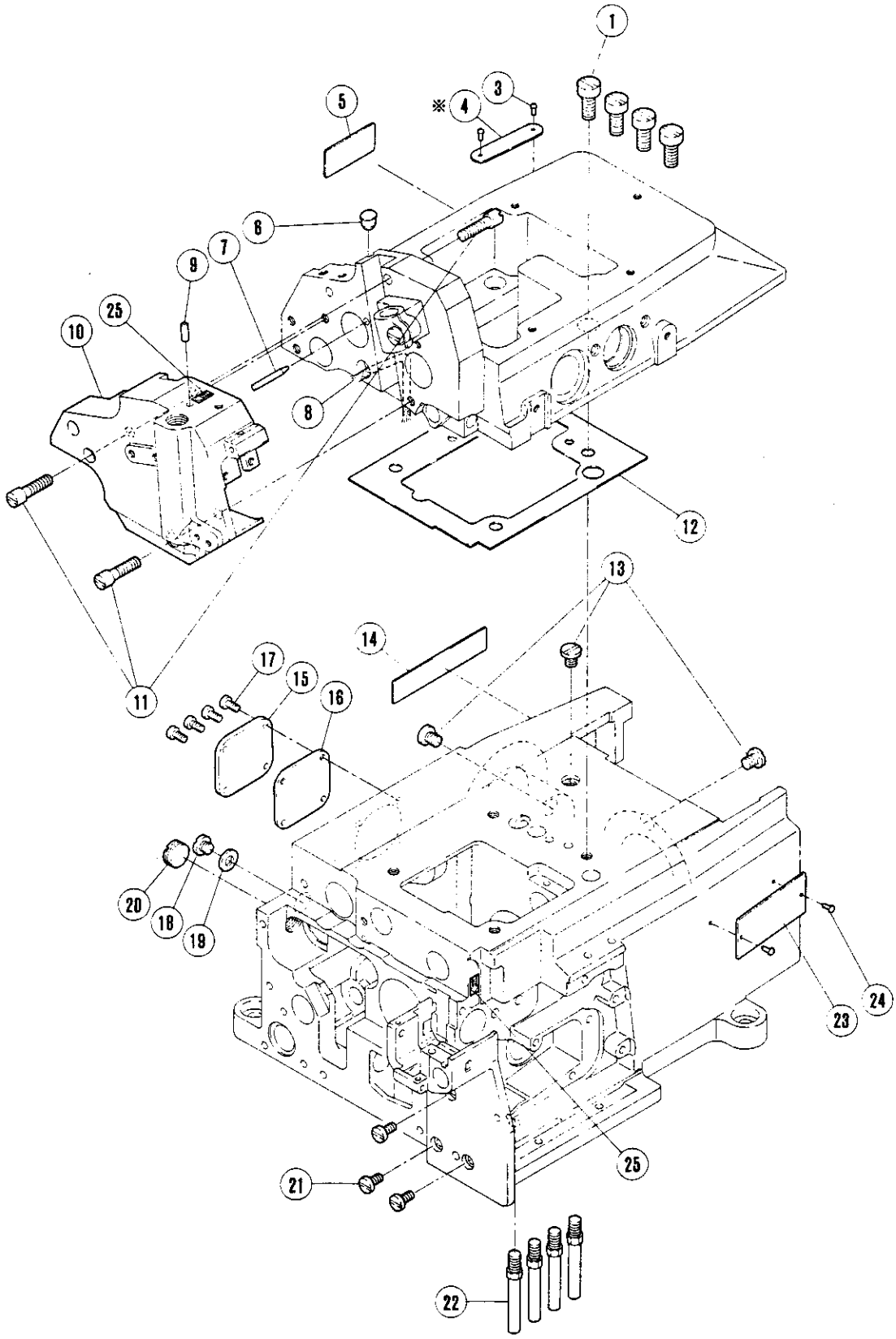
TABLE OF CONTENTS	Page
MACHINE BED FRAME (1), (2)	2- 5
COVER	6- 7
CRANKSHAFT DRIVE MECHANISM (1), (2)	8-11
NEEDLE DRIVE MECHANISM (1), (2)	12-15
UPPER LOOPER DRIVE MECHANISM (1), (2)	16-19
LOWER LOOPER DRIVE MECHANISM	20-21
FEED MECHANISM (1), (2)	22-25
TOP FEED MECHANISM (1), (2)	26-29
KNIFE DRIVE MECHANISM	30-31
PRESSER FOOT MECHANISM	32-33
LUBRICATING MECHANISM	34-35
H.R. DEVICE, BLINDHEMMING	36-37
SPECIFIC PARTS	38-39
SEMI-SUBMERGED INSTALLATION	40-41
ACCESSORIES	40-41
THREAD STAND	42-43
GAUGE PARTS CONSTRUCTION CHARTS.	
GAUGE PARTS LIST	
GAUGE PARTS CONSTRUCTION CHART	44-51
GAUGE PARTS LIST	52
PART NUMBER INDEX	53-55



# MACHINE BED FRAME(1)

MEMO

REF. NO.	PART NO.	NAME	QT.
1	<b>213200-CD</b>	MACHINE BED COMPLETE	1
2	<b>213202-CD</b>	MACHINE ARM (RIGHT)	1
3	<b>210233</b>	BUSHING	1
4	<b>210234</b>	BUSHING	1
5	<b>201002</b>	PIN	1
6	<b>5357</b>	SCREW	1
7	<b>213201-CD</b>	MACHINE BED	1
8	<b>201002</b>	PIN	1
9	<b>210067</b>	BUSHING	1
10	<b>210068</b>	BUSHING	1
11	<b>210297</b>	BUSHING	1
12	<b>212154</b>	BUSHING	1
13	<b>212038</b>	BUSHING	1
14	<b>212037</b>	BUSHING	1
15	<b>210143</b>	BUSHING	1
16	<b>213003</b>	BUSHING	2
17	<b>213004</b>	BUSHING	1
18	<b>213002</b>	BUSHING	1
19	<b>210101</b>	BUSHING	1
20	<b>210102</b>	BUSHING	1
21	<b>204089</b>	BUSHING	1
22	<b>210125</b>	BUSHING	1
23	<b>240094</b>	PIN	2
24	<b>213005-CD</b>	BRACKET	1
30	<b>213230-CD</b>	MACHINE ARM (RIGHT) COMPLET	1
31	<b>213231-CD</b>	MACHINE BED COMPLETE	1
32	<b>2237</b>	SCREW	1

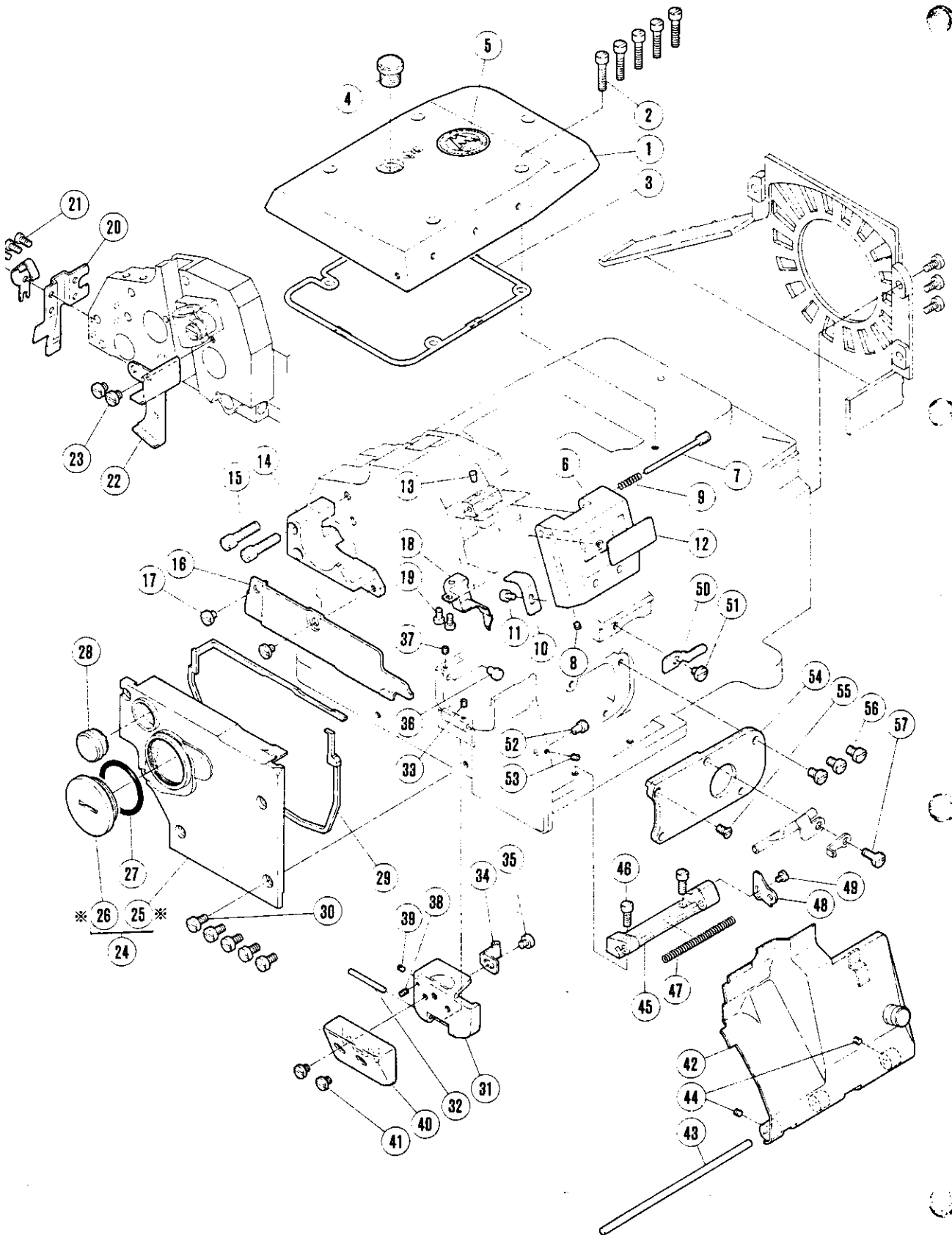




# MACHINE BED FRAME(2)

MEMO

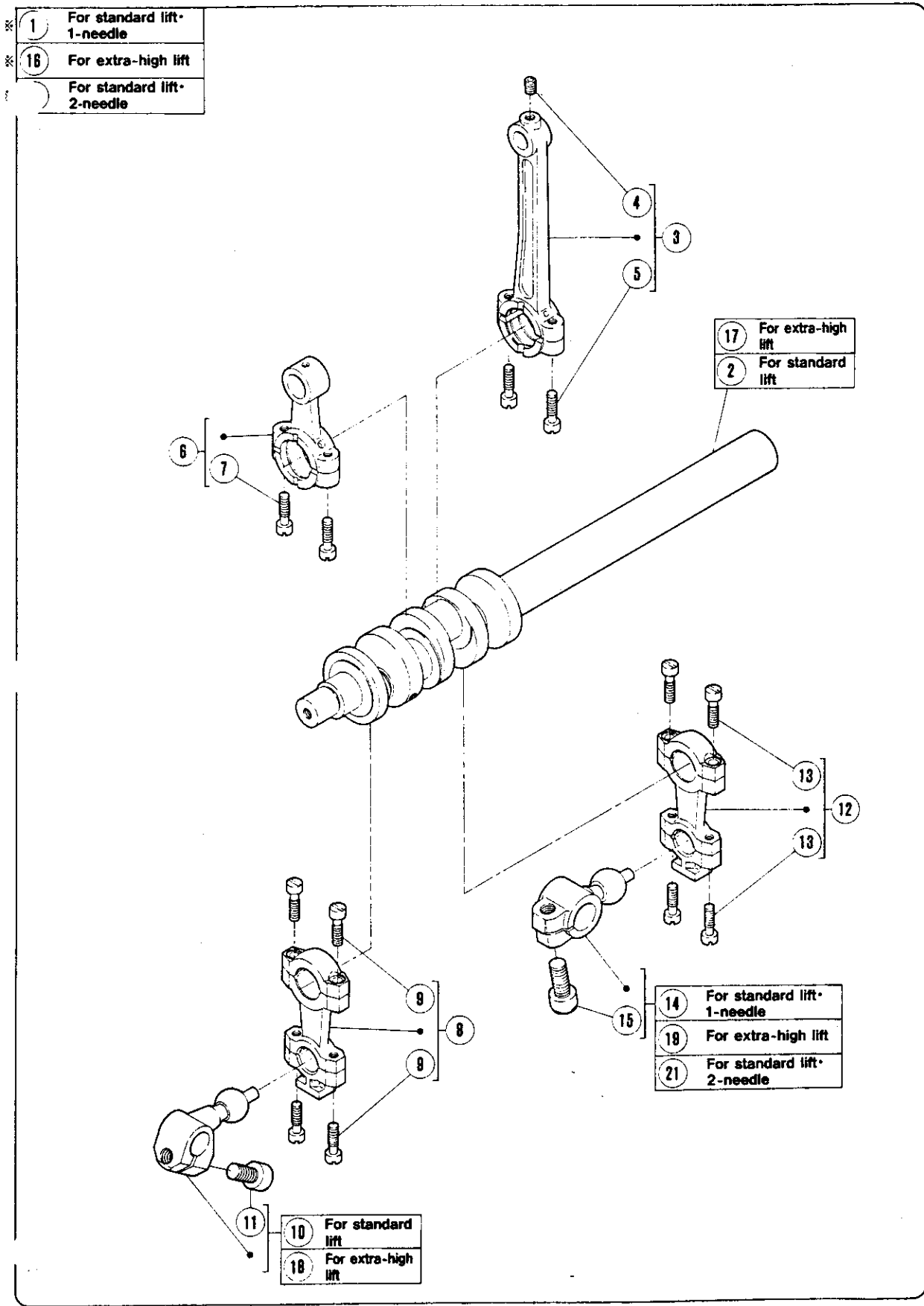
REF. NO.	PART NO.	NAME	QT.
1	<b>5078</b>	SCREW	4
3	<b>230047</b>	NAME PLATE	1
4	<b>210679</b>	PIN	2
5	<b>205724</b>	NAME PLATE	1
6	<b>240052</b>	PLUG	1
7	<b>240190</b>	PIN	1
8	<b>202175</b>	OIL WICK	1
9	<b>210528</b>	OIL PIPE	1
10	<b>213204-CD</b>	MACHINE ARM (LEFT)	1
11	<b>5163</b>	SCREW	3
12	<b>210002</b>	GASKET	1
13	<b>5332A</b>	SCREW	3
14	<b>202526</b>	NAME PLATE	1
15	<b>212010-CD</b>	COVER PLATE	1
16	<b>212011</b>	GASKET	1
17	<b>5142</b>	SCREW	4
18	<b>5434</b>	SCREW	1
19	<b>200138</b>	WASHER	1
20	<b>5556</b>	SCREW	1
21	<b>5117</b>	SCREW	3
22	<b>204006</b>	BED PIN	4
23	<b>212281</b>	TYPE PLATE	1
24	<b>210679</b>	PIN	1
25	<b>8421</b>	OIL MARK	2



## COVERS

MEMO

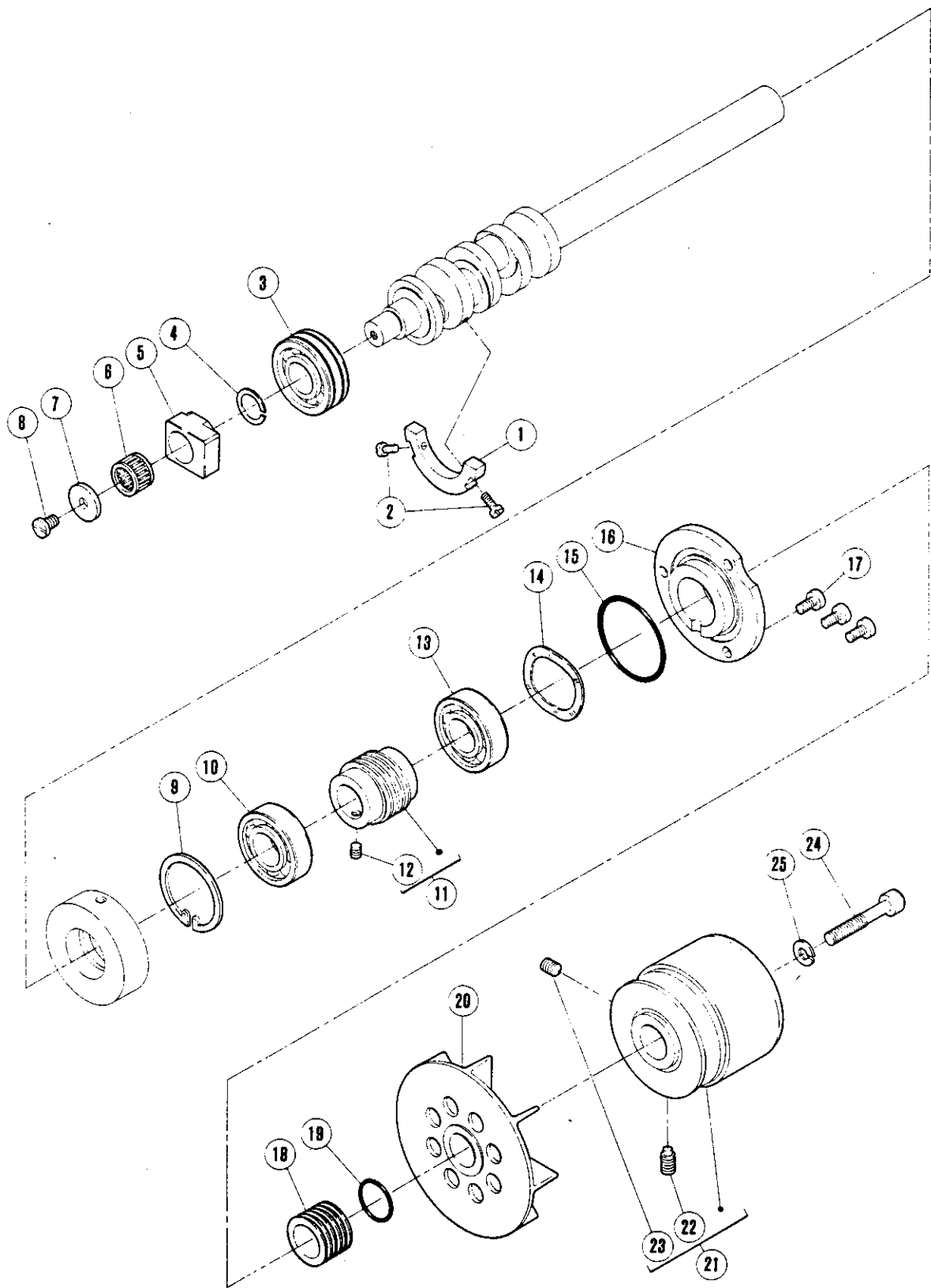
REF. NO.	PART NO.	NAME	QT.
1	<b>211799-CD</b>	TOP COVER	1
2	<b>5095</b>	SCREW	5
3	<b>210035</b>	O RING	1
4	<b>5198</b>	SCREW	1
5	<b>211313</b>	NAME PLATE	1
6	<b>211959-BD</b>	NEEDLE THREAD COVER	1
7	<b>5589</b>	PIN-SCREW	1
8	<b>5292</b>	SCREW	1
9	<b>211958</b>	SPRING	1
10	<b>210223</b>	SPRING	1
11	<b>1216</b>	SCREW	1
12	<b>205724</b>	NAME PLATE	1
13	<b>198192</b>	CUSHION RUBBER	1
14	<b>212006</b>	BRACKET	1
15	<b>5163</b>	SCREW	2
16	<b>213209</b>	FABRIC GUARD	1
17	<b>2905</b>	SCREW	2
18	<b>213076</b>	COVER	1
19	<b>1234</b>	SCREW	2
20	<b>212009A</b>	COVER PLATE	1
21	<b>5293</b>	SCREW	4
22	<b>213077-91</b>	COVER	1
23	<b>2905</b>	SCREW	2
24	<b>213261-CD</b>	SIDE COVER COMPLETE	1
25	<b>213066</b>	SIDE COVER	1
26	<b>213069</b>	CAP	1
27	<b>240174</b>	O RING	1
28	<b>240162</b>	PLUG	1
29	<b>213067</b>	GASCKET	1
30	<b>5117</b>	SCREW	5
31	<b>213062</b>	CAP	1
32	<b>306920</b>	PIN	1
33	<b>5292</b>	SCREW	1
34	<b>213063</b>	HOOK SPRING	1
35	<b>5156</b>	SCREW	1
36	<b>213273</b>	LATCH	1
37	<b>5292</b>	SCREW	1
38	<b>5427</b>	SCREW	1
39	<b>5292</b>	SCREW	1
40	<b>213094-91</b>	COVER	1
41	<b>2905</b>	SCREW	2
42	<b>213070-91</b>	FRONT COVER	1
43	<b>240043</b>	PIN	1
44	<b>5292</b>	SCREW	2
45	<b>213262</b>	HINGE	1
46	<b>5002</b>	SCREW	2
47	<b>240044</b>	SPRING	1
48	<b>213263</b>	SPACER	1
49	<b>2921</b>	SCREW	1
50	<b>210044</b>	HOOK SPRING	1
51	<b>2905</b>	SCREW	1
52	<b>213064</b>	LATCH	1
53	<b>5292</b>	SCREW	1
54	<b>213026-91</b>	COVER	1
55	<b>5170A</b>	SCREW	1
56	<b>4009-1</b>	SCREW	3
57	<b>5345</b>	SCREW	1



# CRANKSHAFT DRIVE MECHANISM(1)

MEMO

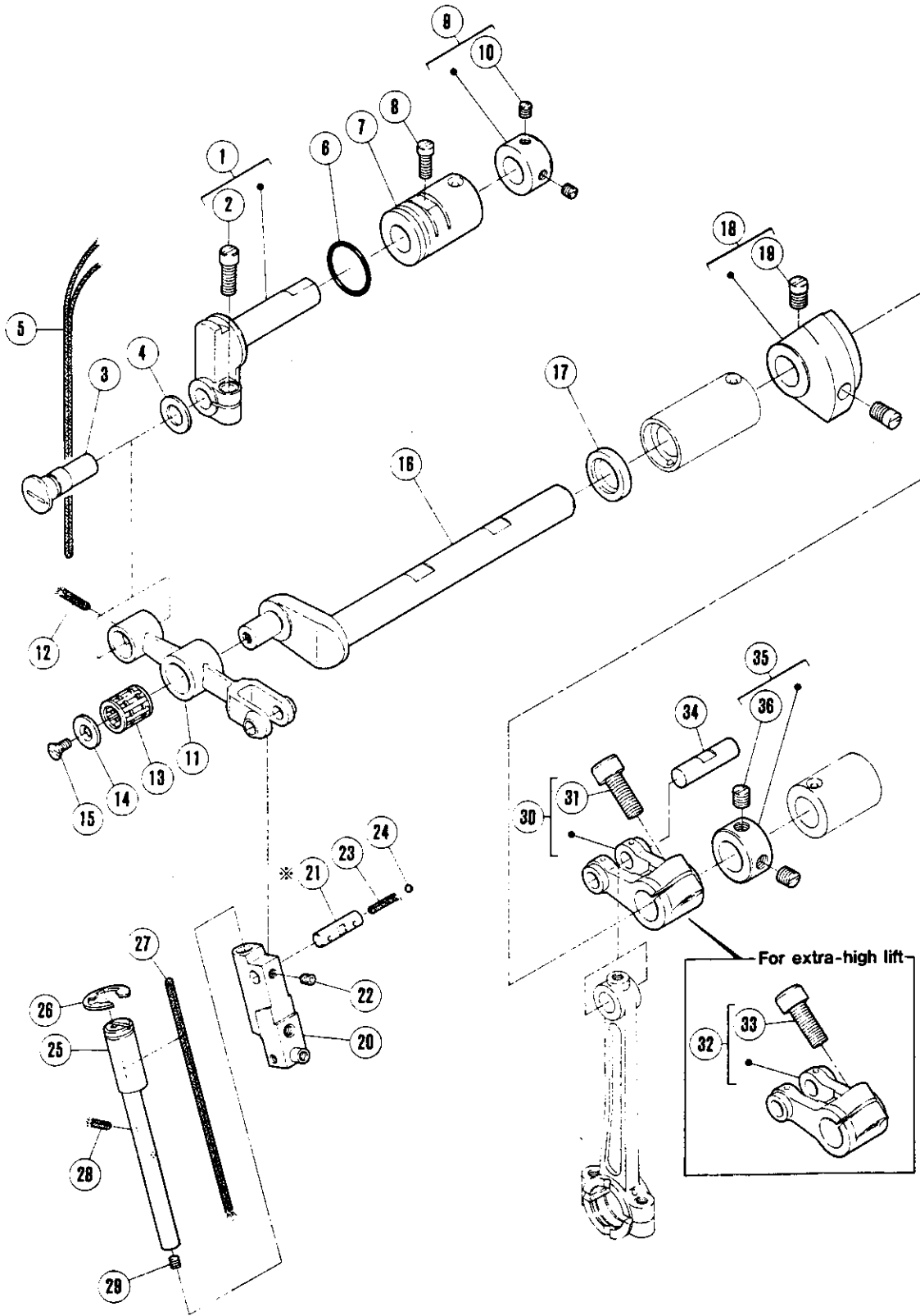
REF. NO.	PART NO.	NAME	QT.
1	<b>213274-91Y</b>	CLANK SHAFT COMPLETE	1
2	<b>213010-91</b>	CRANKSHAFT	1
3	<b>213012-92</b>	CONNECTION	1
4	<b>5461</b>	SCREW	1
5	<b>5376</b>	SCREW	2
6	<b>210173</b>	CONNECTION/UPPER KNIFE DRIVE	1
7	<b>5376</b>	SCREW	2
8	<b>210091</b>	CONNECTION/LOWER LOOPER DRIVE	1
9	<b>5376</b>	SCREW	4
10	<b>213013-92</b>	CRANK	1
11	<b>5457</b>	SCREW	1
12	<b>210091</b>	CONNECTION/LOWER LOOPER DRIVE	1
13	<b>5376</b>	SCREW	4
14	<b>210733</b>	CRANK/UPPER LOOPER/STD LIFT	1
15	<b>5457</b>	SCREW	1
16	<b>213274A91Y</b>	CRANKSHAFT COMPLETE	1
17	<b>213010A91</b>	CRANKSHAFT	1
3	<b>213012-92</b>	CONNECTION	1
4	<b>5461</b>	SCREW	1
5	<b>5376</b>	SCREW	2
6	<b>210173</b>	CONNECTION/UPPER KNIFE DRIVE	1
7	<b>5376</b>	SCREW	2
8	<b>210091</b>	CONNECTION/LOWER LOOPER DRIVE	1
9	<b>5376</b>	SCREW	4
18	<b>213013A92</b>	CRANK	1
11	<b>5457</b>	SCREW	1
12	<b>210091</b>	CONNECTION/LOWER LOOPER DRIVE	1
13	<b>5376</b>	SCREW	4
19	<b>210731</b>	CRANK/UPPER LOOPER	1
15	<b>5457</b>	SCREW	1
20	<b>213274B91Y</b>	CRANKSHAFT COMPLETE	1
2	<b>213010-91</b>	CRANKSHAFT	1
3	<b>213012-92</b>	CONNECTION	1
4	<b>5461</b>	SCREW	1
5	<b>5376</b>	SCREW	2
6	<b>210173</b>	CONNECTION/UPPER KNIFE DRIVE	1
7	<b>5376</b>	SCREW	2
8	<b>210091</b>	CONNECTION/LOWER LOOPER DRIVE	1
9	<b>5376</b>	SCREW	4
10	<b>213013-92</b>	CRANK	1
11	<b>5457</b>	SCREW	1
12	<b>210091</b>	CONNECTION/LOWER LOOPER DRIVE	1
13	<b>5376</b>	SCREW	4
21	<b>210732</b>	CRANK/UPPER LOOPER	1
15	<b>5457</b>	SCREW	1



# CRANKSHAFT DRIVE MECHANISM(2)

MEMO

REF. NO.	PART NO.	NAME	QT.
1	<b>210062</b>	BALANCE WEIGHT	1
2	<b>5029</b>	SCREW	2
3	<b>240166</b>	BALL BEARING	1
4	<b>206129</b>	STOP RING	1
5	<b>210156</b>	BLOCK/FEED BAR LIFT	1
6	<b>206128-2</b>	NEEDLE BEARING	1
7	<b>206768</b>	WASHER	1
8	<b>4009-1</b>	SCREW	1
9	<b>211527</b>	RETAINING RING	1
10	<b>212987</b>	BALL BEARING	1
11	<b>213014-92</b>	WORM	1
12	<b>5461</b>	SCREW	1
13	<b>211526</b>	BALL BEARING	1
14	<b>211529</b>	PLATE SPRING	1
15	<b>210055</b>	O RING	1
16	<b>211528</b>	BALL BEARING RETAINER	1
17	<b>5117</b>	SCREW	3
18	<b>210056</b>	OIL SEAL	1
19	<b>210057</b>	O RING	1
20	<b>210058</b>	COOLING FAN	1
21	<b>211346-BD</b>	MACHINE PULLEY	1
22	<b>5523</b>	PIN-SCREW	1
23	<b>5050</b>	SCREW	1
24	<b>5522</b>	SCREW	1
25	<b>204293</b>	WASHER	1

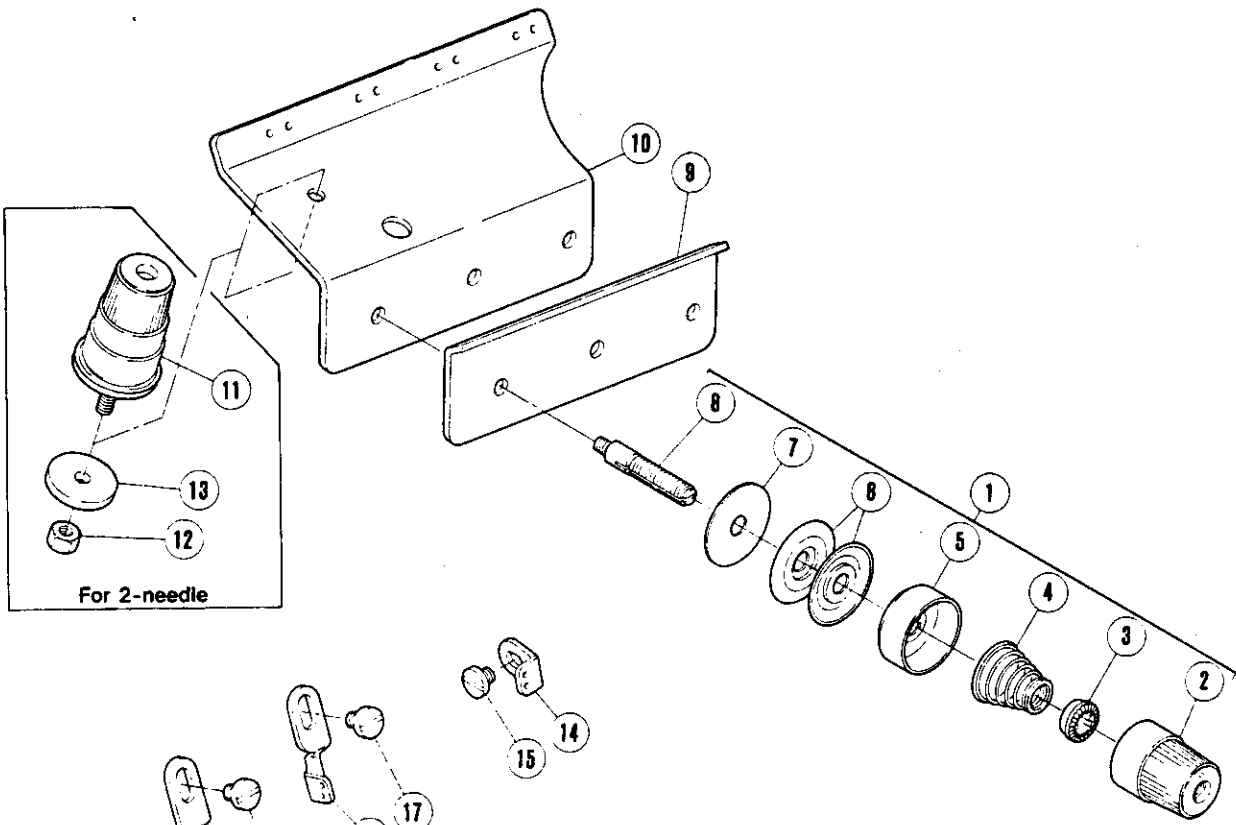




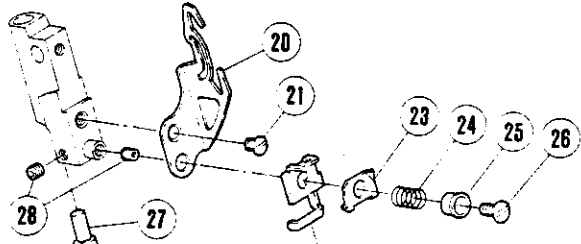
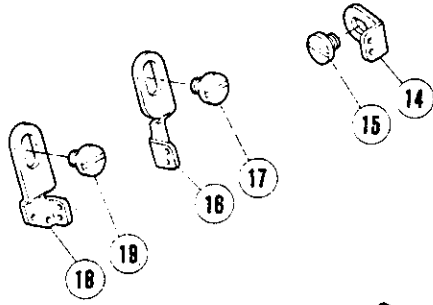
# NEEDLE DRIVE MECHANISM(1)

MEMO

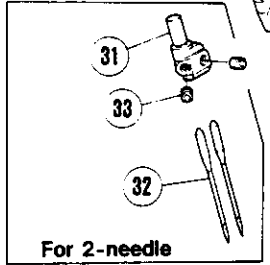
REF. NO.	PART NO.	NAME	QT.
1	210239	HOLDER	1
2	5485	SCREW	1
3	210240	PIN	1
4	210241	WASHER	1
5	212186	OIL WICK	1
6	210057	O RING	1
7	210242	BUSHING	1
8	5325	SCREW	1
9	201056	COLLAR	1
10	1457	SCREW	2
11	210235	LEVER/NEEDLE DRIVE	1
12	202175	OIL WICK	1
13	210238-2	NEEDLE BEARING	1
14	210236	WASHER	1
15	5022	SCREW	1
16	210232	SHAFT/NEEDLE DRIVE	1
17	210069	OIL SEAL	1
18	210511	BALANCE WEIGHT	1
19	5059	SCREW	2
20	213015	NEEDLE HOLDER GUIDE	1
21	210237A	PIN	1
22	5292	SCREW	1
23	202174	OIL WICK	1
24	240148	PLUG	1
25	210244	STUD	1
26	202577	STOP RING	1
27	202175	OIL WICK	1
28	202174	OIL WICK	1
29	5292	SCREW	1
30	210230	CRANK/NEEDLE DRIVE/STD LIFT	1
31	5457	SCREW	1
32	210231	CRANK/NEEDLE DRIVE	1
33	5457	SCREW	1
34	204146	PIN	1
35	201635	COLLAR	1
36	5060	SCREW	2



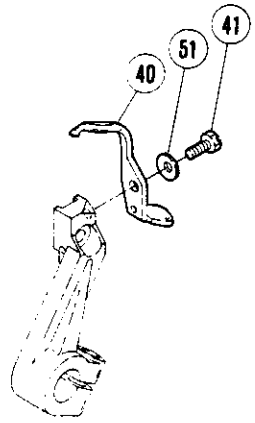
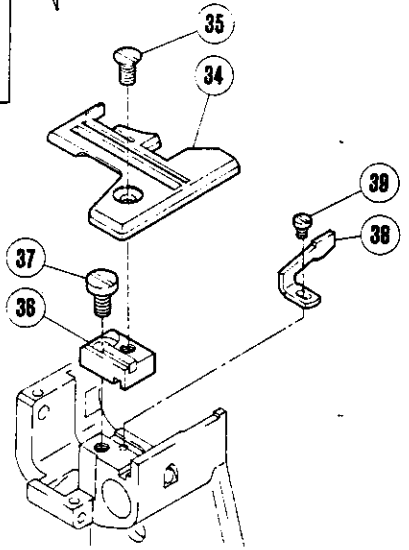
For 2-needle



22 For 1-needle  
50 For 2-needle



For 2-needle



# NEEDLE DRIVE MECHANISM(2)

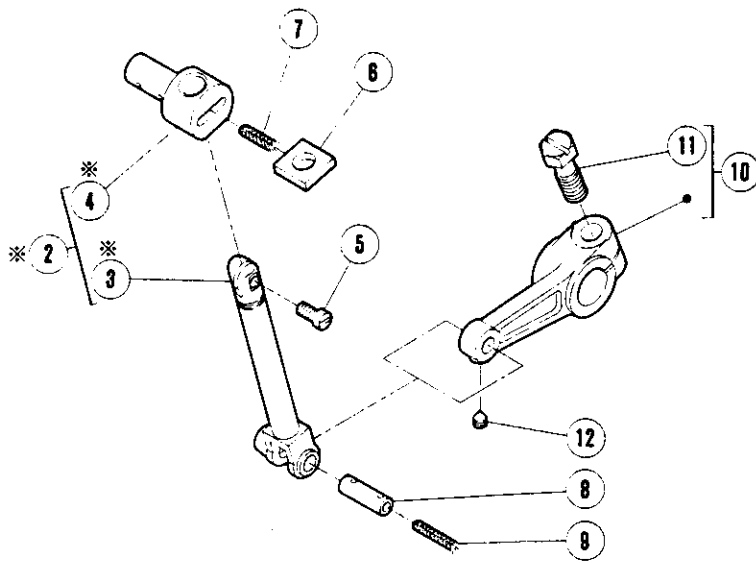
MEMO

REF. NO.	PART NO.	NAME	QT.
1	<b>210529-BA</b>	THREAD TENTION COMPLETE	1
2	<b>208447-BA</b>	POST NUT	1
3	<b>208448</b>	SPRING BUSHING	1
4	<b>201037</b>	TENSION SPRING (HEAVY)	1
5	<b>208450-BA</b>	CAP	1
6	<b>210319</b>	DISC	2
7	<b>208449</b>	FELT	1
8	<b>5082A</b>	SCREW STUD	1
9	<b>211800</b>	TENTION GUIDE	1
10	<b>211801</b>	'THREAD TENTION COMPLETE'	1
11	<b>210529-BA</b>	THREAD TENTION COMPLETE	1
12	<b>5137</b>	NUT	1
13	<b>201880</b>	WASHER	1
14	<b>210089</b>	NEEDLE THREAD GUIDE RIGHT	1
15	<b>2905</b>	SCREW	1
16	<b>213251</b>	NEEDLE THREAD GUIDE RIGHT	1
17	<b>5535</b>	SCREW	1
18	<b>213252</b>	NEEDLE THREAD GUIDE LEFT	1
19	<b>5535</b>	SCREW	1
20	<b>213250</b>	NEEDLE THREAD TAKEUP	1
21	<b>5446</b>	SCREW	1
22	<b>212503</b>	BRACKET	1
23	<b>212504</b>	NEEDLE THREAD RETAINER	1
24	<b>210751</b>	SPRING	1
25	<b>210750</b>	GUIDE	1
26	<b>5022</b>	SCREW	2
27	<b>XXXXXX</b>	NEEDLE HOLDER	1
28	<b>5292</b>	SCREW	1
29	<b>XXXXXX</b>	NEEDLE	1
30	<b>5292</b>	SCREW	1
31	<b>XXXXXX</b>	NEEDLE HOLDER	1
32	<b>XXXXXX</b>	NEEDLE	1
33	<b>5292</b>	SCREW	1
34	<b>XXXXXX</b>	NEEDLE PLATE	1
35	<b>5484-HC</b>	SCREW	1
36	<b>213060-91</b>	BRACKET	1
37	<b>5117</b>	SCREW	1
38	<b>XXXXXX</b>	NEEDLE GUARD (FRONT)	1
39	<b>1333</b>	SCREW	1
40	<b>XXXXXX</b>	NEEDLE GURD (REAR)	1
41	<b>5635</b>	SCREW	1
50	<b>213259</b>	BRACKET	1
51	<b>240222</b>	SPRING WSASHER	1

See page 52 for × × × × × ×.

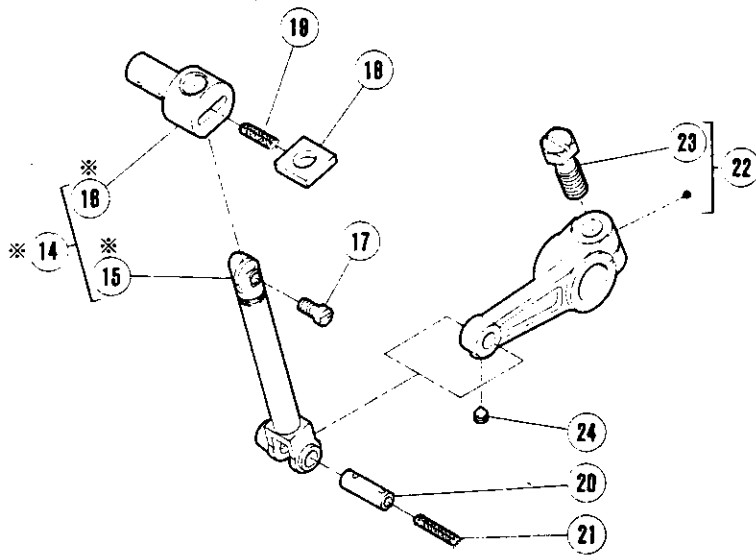
1

For standard lift



12

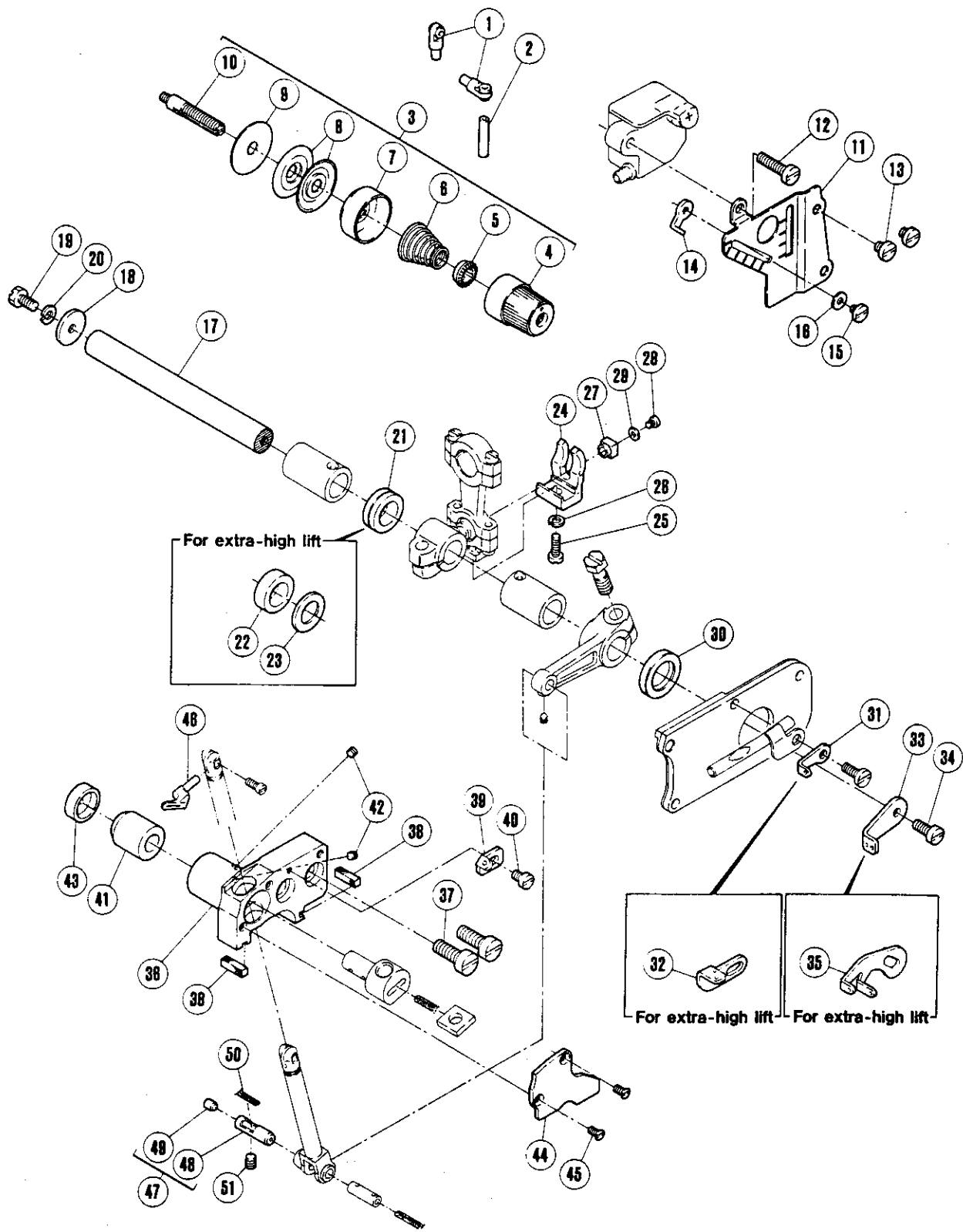
For extra-high lift



# UPPER LOOPER DRIVE MECHANISM(1)

MEMO

REF. NO.	PART NO.	NAME	QT.
1	<b>213275-91Y</b>	UPPER LOOPER HOLDER ASSEMBLY	1
2	<b>213017-91</b>	UPPER LOOPER HOLDER ASSEMBLY	1
3	<b>213018-91</b>	UPPER LOOPER HOLDER	1
4	<b>213020</b>	GUIDE/UPPER LOOPER HOLDER	1
5	<b>7054</b>	SCREW	1
6	<b>179130-05</b>	OIL FELT	1
7	<b>202175</b>	OIL WICK	1
8	<b>213023</b>	PIN	1
9	<b>202176</b>	OIL WICK	1
10	<b>213022-92</b>	LEVER/UPPER LOOPER HOLDER	1
11	<b>5284</b>	SCREW	1
12	<b>5629</b>	SCREW	1
13	<b>213275A91Y</b>	UPPER LOOPER HOLDER ASSEMBLY	1
14	<b>213017-91</b>	UPPER LOOPER HOLDER ASSEMBLY	1
15	<b>213018-91</b>	UPPER LOOPER HOLDER	1
16	<b>213020</b>	GUIDE/UPPER LOOPER HOLDER	1
17	<b>7054</b>	SCREW	1
18	<b>179130-05</b>	OIL FELT	1
19	<b>202175</b>	OIL WICK	1
20	<b>213023</b>	PIN	1
21	<b>202176</b>	OIL WICK	1
22	<b>213022A92</b>	LEVER/UPPER LOOPER HOLDER	1
23	<b>5284</b>	SCREW	1
24	<b>5629</b>	SCREW	1

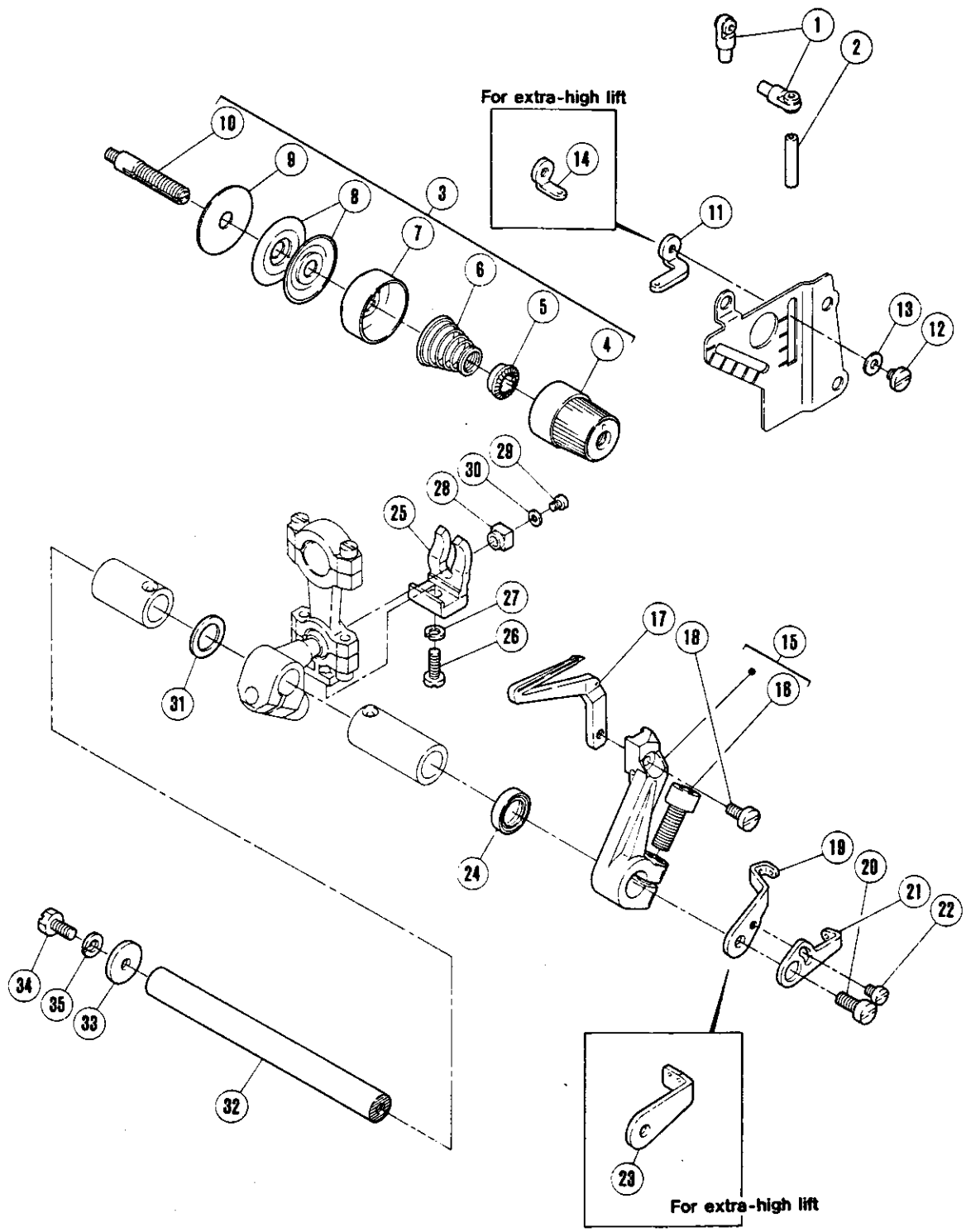


# UPPER LOOPER DRIVE MECHANISM(2)

MEMO

REF. NO.	PART NO.	NAME	QT.
1	201439A	EYELET	2
2	204657	THREAD TUBE	1
3	210531-BA	THREAD TENTION COMPLETE	1
4	208447-BA	POST NUT	1
5	208448	SPRING BUSHING	1
6	201068	TENSION SPRING (LIGHT)	1
7	208450-BA	CAP	1
8	210319	DISC	2
9	208449	FELT	1
10	5082A	SCREW STUD	1
11	210349	LOOPER THREAD GUIDE PLATE	1
12	5152	SCREW	1
13	2905	SCREW	2
14	210350	UPPER LOOPER THREAD GUIDE	1
15	5519	SCREW	1
16	202875	WASHER	1
17	210099A	SHAFT	1
18	210100	WASHER	1
19	2193	SCREW	1
20	202286	WASHER	1
21	210098	SPACER	1
22	210267	SPACER	1
23	206180	WASHER	1
24	210092	GUIDE/CONNECTION	1
25	5546	SCREW	1
26	202286	WASHER	1
27	210093	BLOCK/CONNECTION	1
28	1231	SCREW	1
29	210585	WASHER	1
30	210103	OIL SEAL	1
31	213256	THREAD GUIDE	1
32	213258	THREAD GUIDE	1
33	210351	UPPER LOOPER THREAD TAKEUP	1
34	2902	SCREW	1
35	211659A	THREAD TAKEUP	1
36	213024	BASE/UPPER LOOPER	1
37	5282	SCREW	2
38	240168	GASKET	2
39	213255	THREAD GUIDE	1
40	1229	SCREW	1
41	213021	BUSHING	1
42	5292	SCREW	1
43	240167	PLUG	1
44	213025	COVER	1
45	5437	SCREW	2
46	XXXXXX	UPPER LOOPER	1
47	179066-02	OIL RELEASE PLUG COMP.	1
48	179066-05	OIL RELEASE PLUG	1
49	240038	PLUG	1
50	202175	OIL WICK	1
51	5461	SCREW	1

See page 52 for x x x x x.



For extra-high lift

For extra-high lift

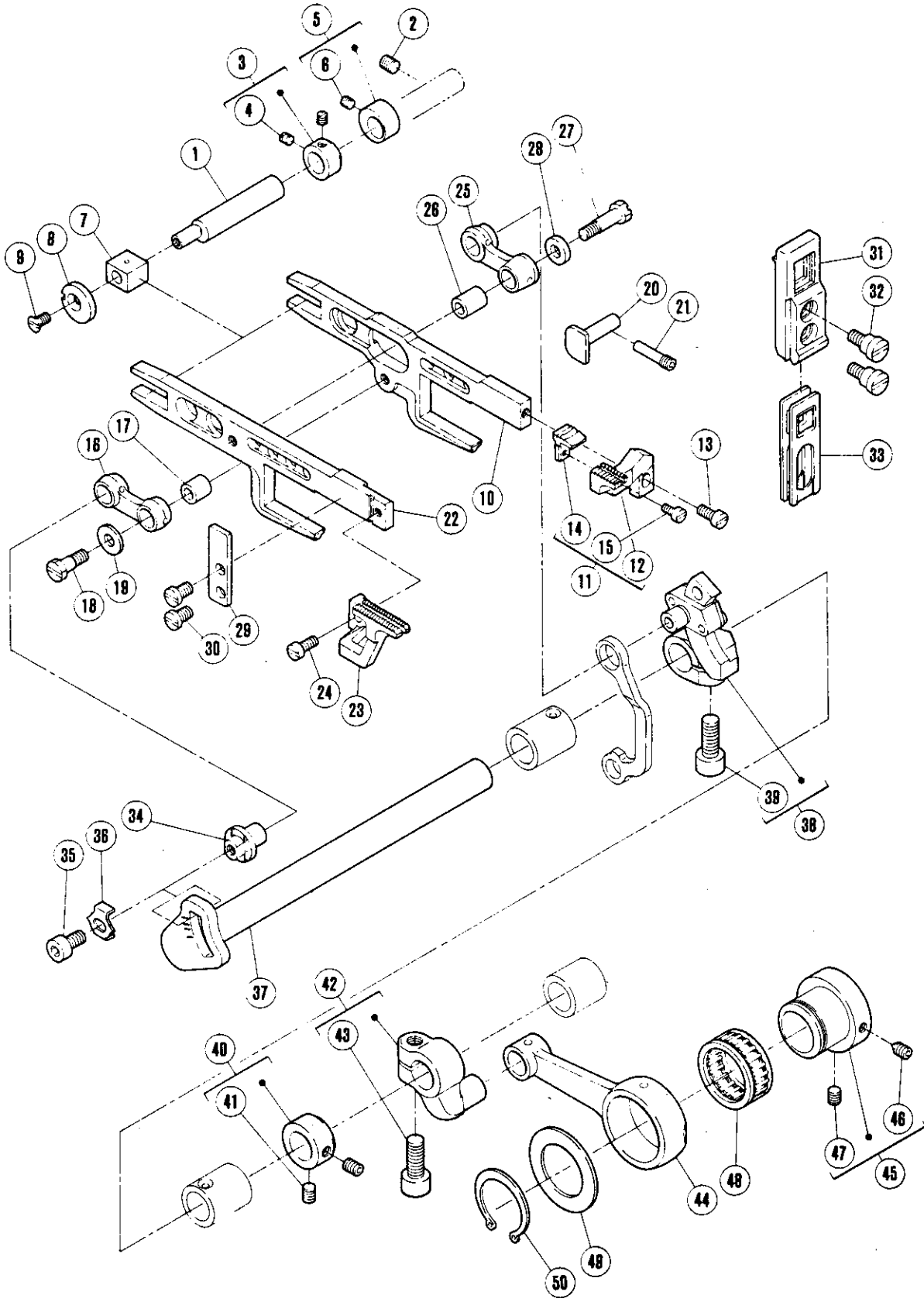


# LOWER LOOPER DRIVE MECHANISM

MEMO

REF. NO.	PART NO.	NAME	QT.
1	<b>201439A</b>	EYELET	2
2	<b>204657</b>	THREAD TUBE	1
3	<b>210530-BA</b>	THREAD TENTION COMPLETE	1
4	<b>208447-BA</b>	POST NUT	1
5	<b>208448</b>	SPRING BUSHING	1
6	<b>201086</b>	TENSION SPRING (MEDIUM)	1
7	<b>208450-BA</b>	CAP	1
8	<b>210319</b>	DISC	2
9	<b>208449</b>	FELT	1
10	<b>5082A</b>	SCREW STUD	1
11	<b>211391</b>	THREAD GUIDE RIGHT	1
12	<b>5519</b>	SCREW	1
13	<b>202875</b>	WASHER	1
14	<b>201089</b>	THREAD GUIDE (RIGHT)	1
15	<b>213029-92</b>	LOWER LOOPER LEVER	1
16	<b>5457</b>	SCREW	1
17	<b>XXXXXX</b>	LOWER LOOPER	1
18	<b>1202</b>	SCREW	1
19	<b>213254</b>	THREAD TAKEUP	1
20	<b>2902</b>	SCREW	1
21	<b>213253</b>	THREAD TAKEUP	1
22	<b>2921</b>	SCREW	1
23	<b>213257</b>	THREAD TAKEUP	1
24	<b>204052A</b>	OIL SEAL	1
25	<b>210092</b>	GUIDE/CONNECTION	1
26	<b>5546</b>	SCREW	1
27	<b>202286</b>	WASHER	1
28	<b>210093</b>	BLOCK/CONNECTION	1
29	<b>1231</b>	SCREW	1
30	<b>210585</b>	WASHER	1
31	<b>240102</b>	SPACER	1
32	<b>210123</b>	SHAFT/LOWER LOOPER LEVER	1
33	<b>204107</b>	WASHER	1
34	<b>2193</b>	SCREW	1
35	<b>202286</b>	WASHER	1

See page 52 for × × × × ×.

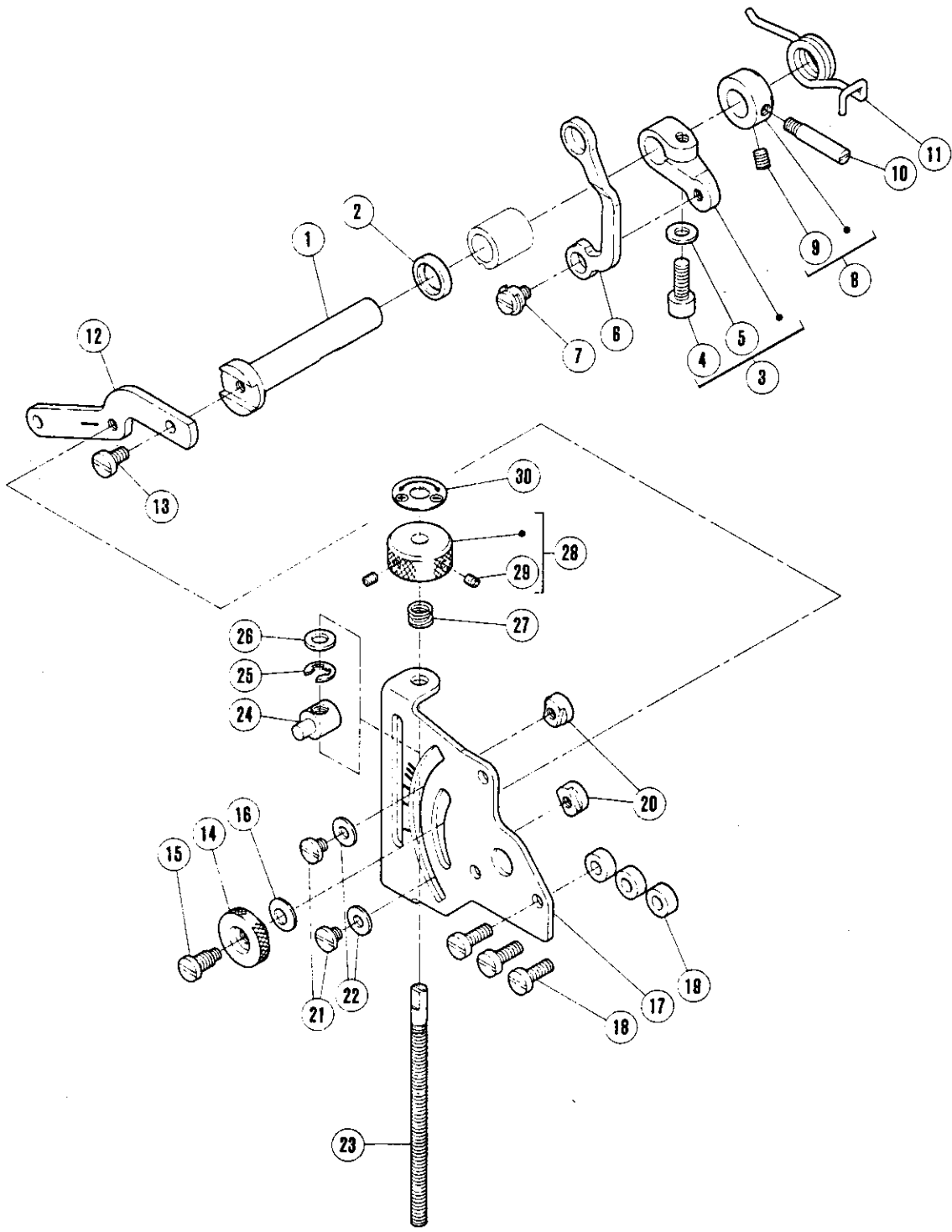


# FEED MECHANISM(1)

MEMO

REF. NO.	PART NO.	NAME	QT.
1	179177-05	FEED BAR PIN	1
2	5234	SCREW	1
3	232508	COLLAR	1
4	1459	SCREW	2
5	240171-92	COLLAR	1
6	1459	SCREW	1
7	179178-05	BLOCK	1
8	204439A	WASHER	1
9	7041	SCREW	1
10	213033	MAIN FEED BAR	1
11	XXXXXX	MAIN FEED DOG COMPLETE	1
12	XXXXXX	MAIN FEED DOG	1
13	1175-2	SCREW	1
14	XXXXXX	AUX. FEED DOG	1
15	5492	SCREW	1
16	213036	LINK	1
17	210148	BUSHING	1
18	5489	SCREW	1
19	204115	WASHER	1
20	213043	FEED GUIDE BAR (RIGHT)	1
21	5632	SCREW	1
22	213034	DIFF. FEED BAR	1
23	XXXXXX	DIFF. FEED DOG	1
24	1175-2	SCREW	1
25	213042	LINK	1
26	204114	BUSHING	1
27	5231	SCREW	1
28	204115	WASHER	1
29	213044	FEED GUIDE BAR (LEFT)	1
30	5506	SCREW	2
31	213046	GUIDE/FEED BAR OILSEAL	1
32	5633	SCREW	2
33	213045	FEED BAR OILSEAL	2
34	213037	PIN	1
35	5531	SCREW	1
36	213038	INDICATOR	1
37	213035	SHAFT/FEED DRIVE	1
38	213039-92	CRANK	1
39	5457	SCREW	1
40	231506	COLLAR	1
41	5461	SCREW	2
42	213032-92	CRANK	1
43	5457	SCREW	1
44	210140	CONNECTION/FEED DRIVE	1
45	213031-92	FEED ECCENTRIC	1
46	5630	SCREW	1
47	5461	SCREW	1
48	204084-2	NEEDLE BEARING	1
49	240169	WASHER	1
50	240170	RING	1

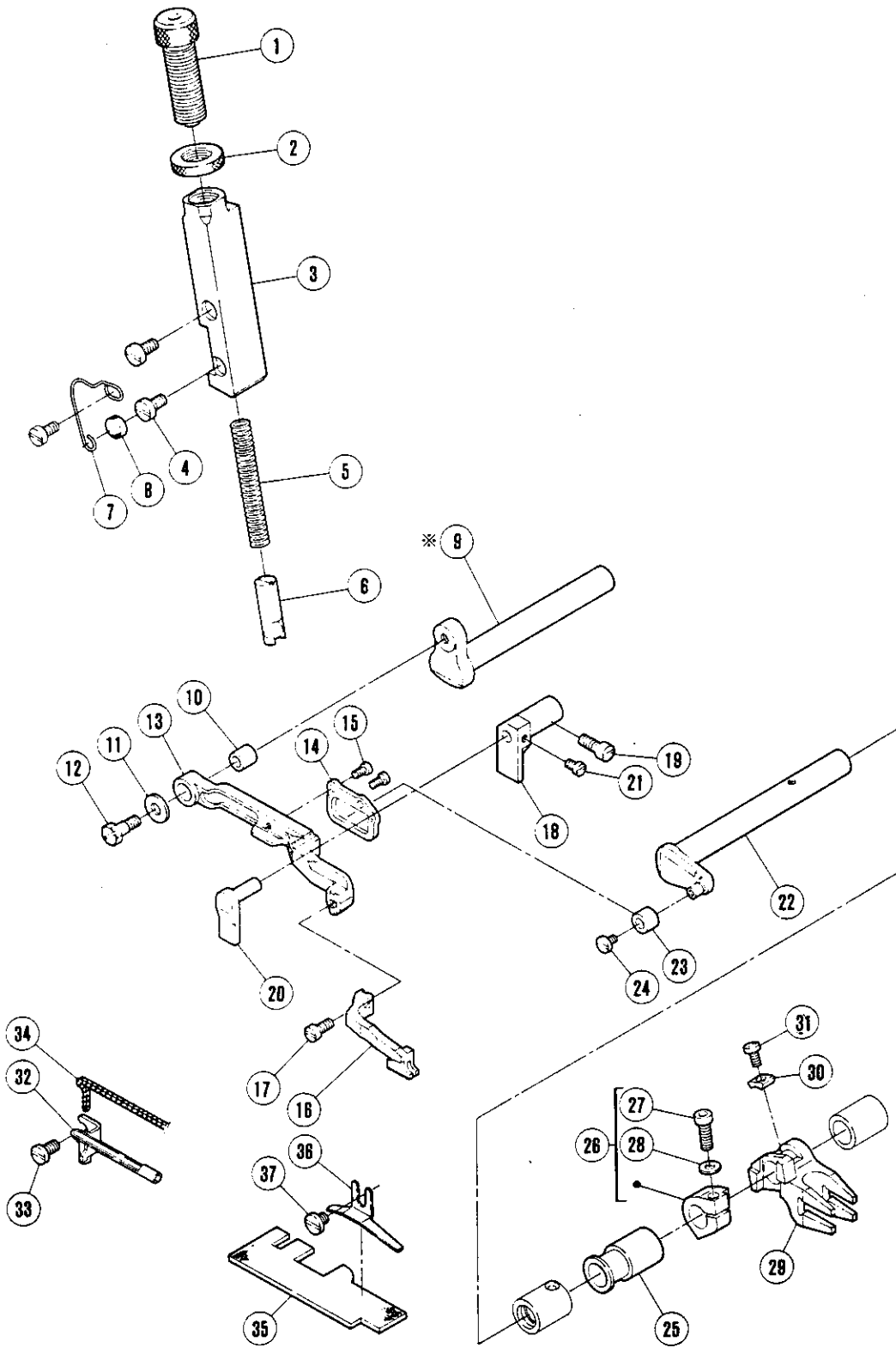
See page 52 for × × × × × ×



# FEED MECHANISM(2)

MEMO

REF. NO.	PART NO.	NAME	QT.
1	<b>213047</b>	SHAFT	1
2	<b>204052A</b>	OIL SEAL	1
3	<b>213048-92</b>	LEVER	1
4	<b>5594</b>	SCREW	1
5	<b>307003</b>	WASHER	1
6	<b>211190</b>	LINK	1
7	<b>5316</b>	SCREW	1
8	<b>204754A</b>	COLLAR	1
9	<b>5461</b>	SCREW	1
10	<b>204757</b>	SCREW	1
11	<b>213050</b>	SPRING	1
12	<b>213049</b>	LEVER	1
13	<b>5117</b>	SCREW	1
14	<b>210167</b>	THUMB NUT	1
15	<b>5486</b>	SCREW	1
16	<b>211301</b>	SPRING WASHER	1
17	<b>213051</b>	DIFF. FEED REG. GUIDE	1
18	<b>5118</b>	SCREW	3
19	<b>301762</b>	SPACER	3
20	<b>210171</b>	STOPPER	2
21	<b>2905</b>	SCREW	2
22	<b>201185</b>	WASHER	2
23	<b>213052</b>	DIFF. FEED REG. BAR	1
24	<b>213053</b>	BLOCK	1
25	<b>201629</b>	RING	1
26	<b>207924</b>	WASHER	1
27	<b>210533</b>	SPRING	1
28	<b>210532</b>	THUMB NUT	1
29	<b>5292</b>	SCREW	2
30	<b>212179</b>	MARK	1

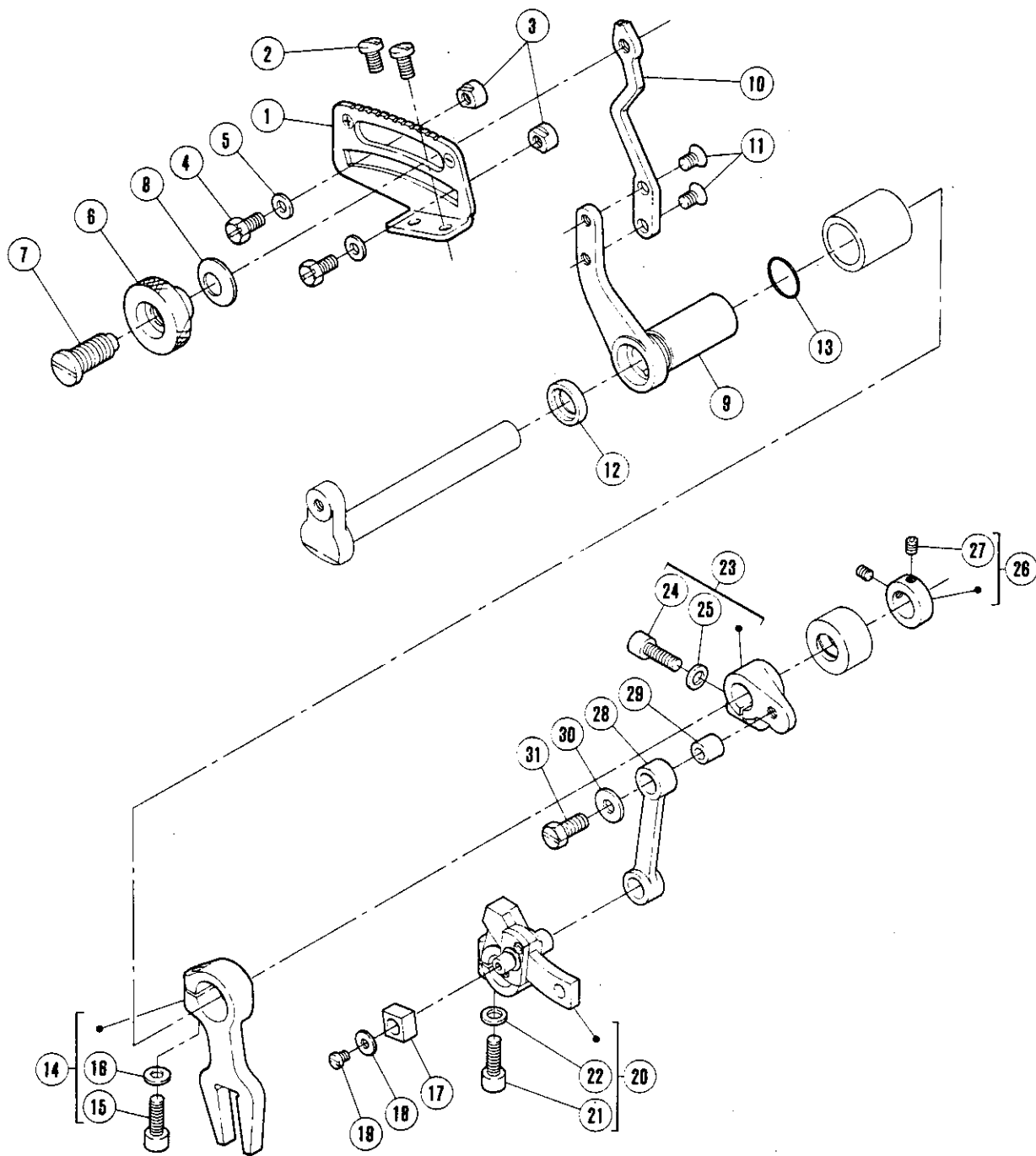


# TOP FEED MECHANISM(1)

MEMO

REF. NO.	PART NO.	NAME	QT.
1	212440	THUMB SCREW	1
2	210328	ADJUST SCREW NUT	1
3	212025	PRESSER BAR GUIDE	1
4	5117	SCREW	2
5	212026	SPRING	1
6	212021	PRESSER BAR COMPLETE	1
7	212145	SPRING	1
8	212144	FELT	1
9	212036	SHAFT	1
10	210148	BUSHING	1
11	204115	WASHER	1
12	5489	SCREW	1
13	213210	TOP FEED BAR	1
14	213212	ROLLAR RETAINER	1
15	2922	SCREW	2
16	XXXXXX	TOP FEED DOG	1
17	1175-2	SCREW	1
18	213213	GUIDE (RIGHT)	1
19	5002	SCREW	1
20	213214	GUIDE (LEFT)	1
21	5053	SCREW	1
22	212404B	SHAFT	1
23	212015	ROLLAR	1
24	5597	SCREW	1
25	212405	SPACER	1
26	212447	LATCH	1
27	5568	SCREW	1
28	307003	WASHER	1
29	212445	CRANK	1
30	212446	CRANK GUIDE	1
31	5089	SCREW	1
32	213223-91	OIL PIPE COMPLETE	1
33	5091	SCREW	1
34	202176	OIL WICK	1
35	213227	OIL FELT	1
36	212147	FELT RETAINER	1
37	2905	SCREW	1

See page 52 for × × × × ×

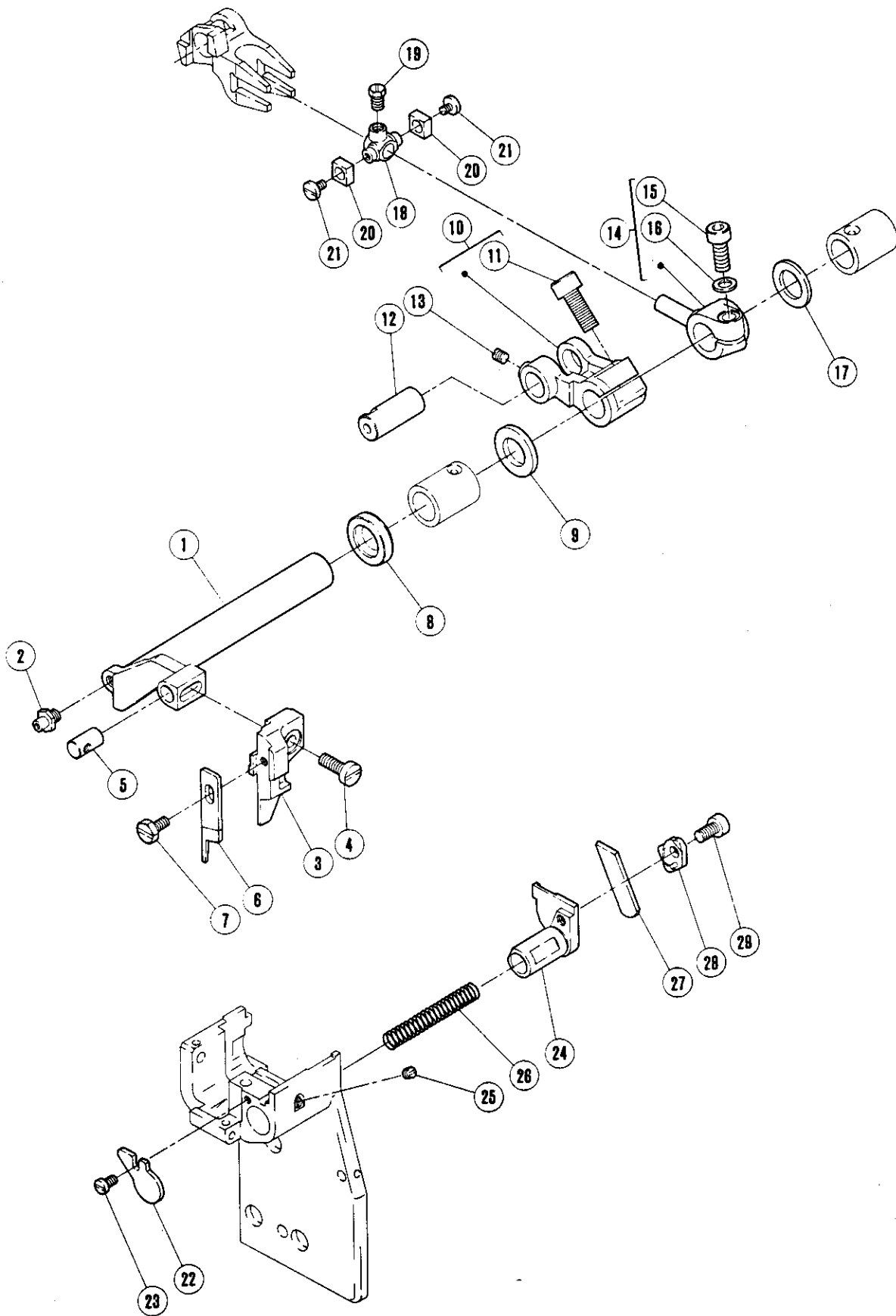




# TOP FEED MECHANISM(2)

MEMO

REF. NO.	PART NO.	NAME	QT.
1	<b>212416A</b>	REGULATING PLATE	1
2	<b>5117</b>	SCREW	2
3	<b>210171</b>	STOPPER	2
4	<b>2193</b>	SCREW	2
5	<b>200098</b>	WASHER	2
6	<b>204870</b>	THUMB NUT	1
7	<b>5321A</b>	SCREW	1
8	<b>204888</b>	SPRING WASHER	1
9	<b>212042A</b>	LEVER	1
10	<b>212419A</b>	LEVER	1
11	<b>5061</b>	SCREW	2
12	<b>204052A</b>	OIL SEAL	1
13	<b>201022</b>	O RING	1
14	<b>213208-92</b>	LEVER	1
15	<b>5594</b>	SCREW	1
16	<b>307003</b>	WASHER	1
17	<b>201107</b>	BLOCK	1
18	<b>212034</b>	WASHER	1
19	<b>1186</b>	SCREW	1
20	<b>213205-92</b>	CRANK ASSEMBLY	1
21	<b>5594</b>	SCREW	1
22	<b>307003</b>	WASHER	1
23	<b>212035A92</b>	CRANK	1
24	<b>5594</b>	SCREW	1
25	<b>307003</b>	WASHER	1
26	<b>212039</b>	COLLAR	1
27	<b>5292</b>	SCREW	2
28	<b>212040</b>	LINK	1
29	<b>210148</b>	BUSHING	1
30	<b>204115</b>	WASHER	1
31	<b>5489</b>	SCREW	1

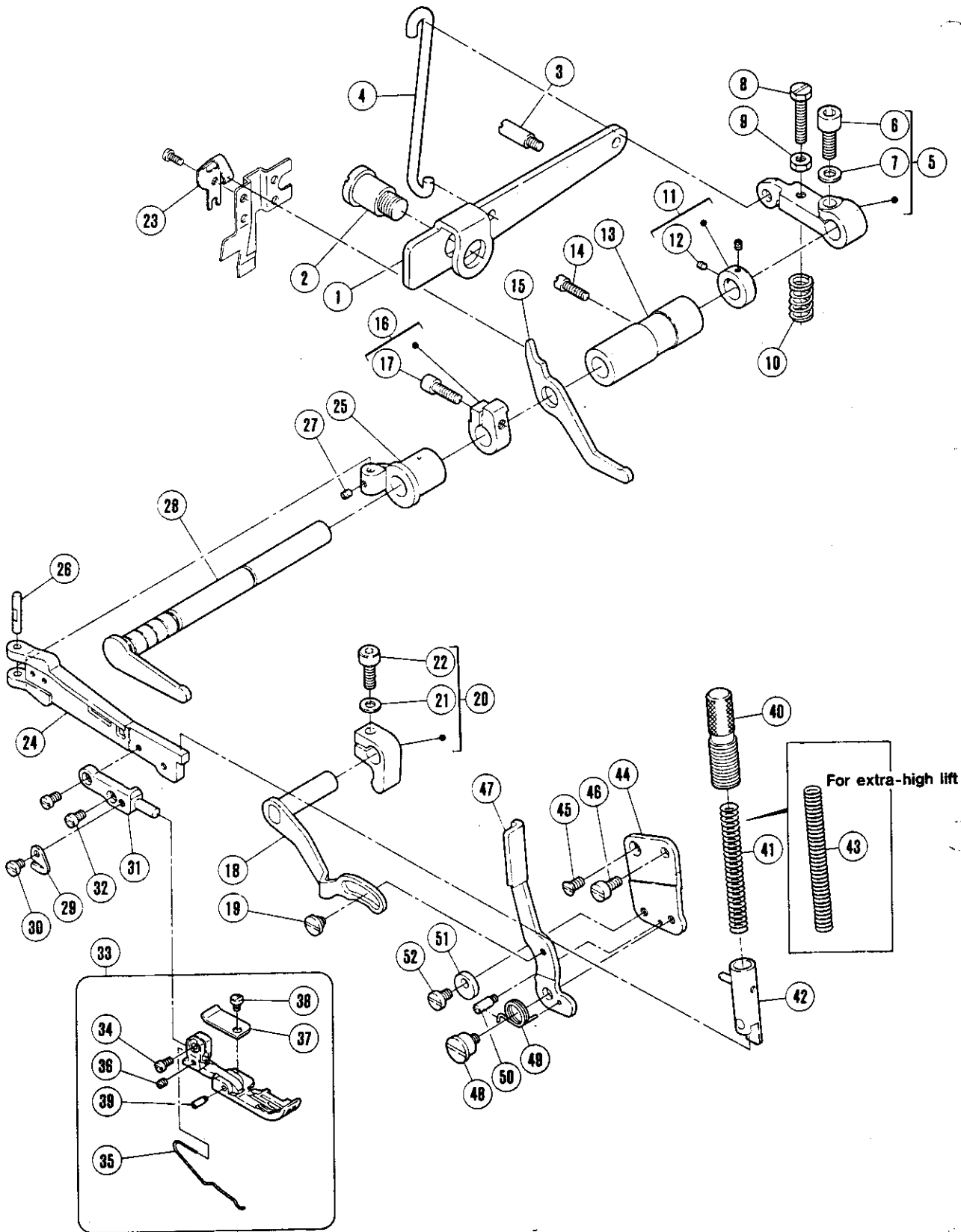


# KNIFE DRIVE MECHANISM

MEMO

REF. NO.	PART NO.	NAME	QT.
1	213222	UPPER KNIFE LEVER	1
2	304086	SCREW	1
3	210178A	UPPER KNIFE CLAMP	1
4	5118	SCREW	1
5	208579	PIN	1
6	XXXXXX	UPPER KNIFE	1
7	5088	SCREW	1
8	210069	OIL SEAL	1
9	206180	WASHER	1
10	210314	CRANK/UPPER KNIFE DRIVE	1
11	5457	SCREW	1
12	210175	PIN	1
13	5461	SCREW	1
14	212408	CRANK (RIGHT)	1
15	5594	SCREW	1
16	307003	WASHER	1
17	208235	WASHER	1
18	212409	PIN	1
19	5084	SCREW	1
20	212410	BLOCK	2
21	5597	SCREW	2
22	213084	CAP	1
23	5012	SCREW	1
24	213054	LOWER KNIFE HOLDER	1
25	5641	SCREW	1
26	202340	SPRING	1
27	XXXXXX	LOWER KNIFE	1
28	213264-91	CLAMP/LOWER KNIFE	1
29	5205	SCREW	1

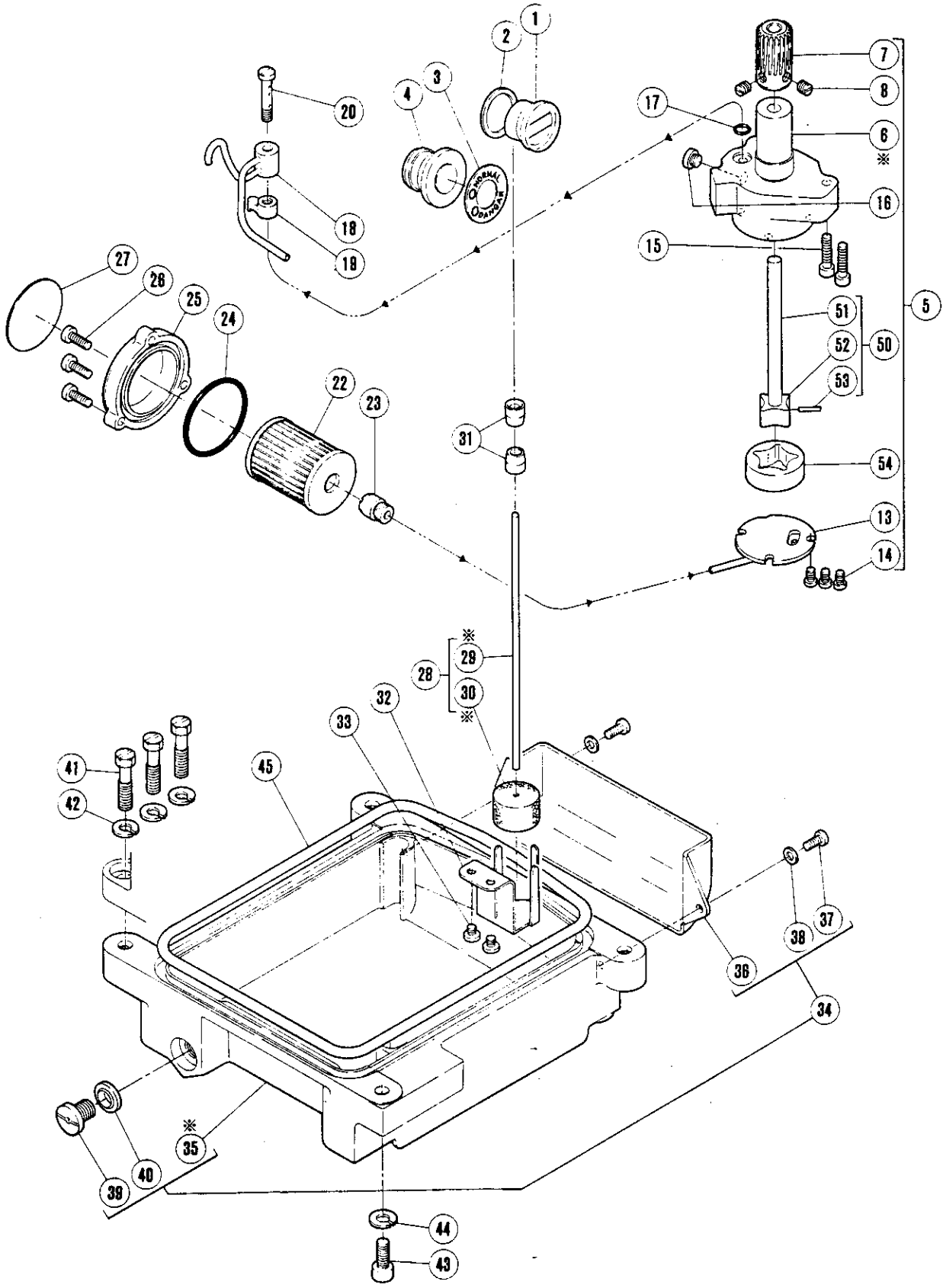
See page 52 for x x x x x



# PRESSER FOOT MECHANISM

MEMO

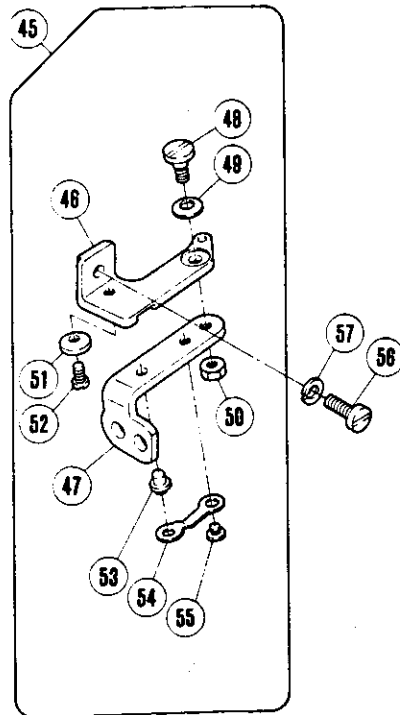
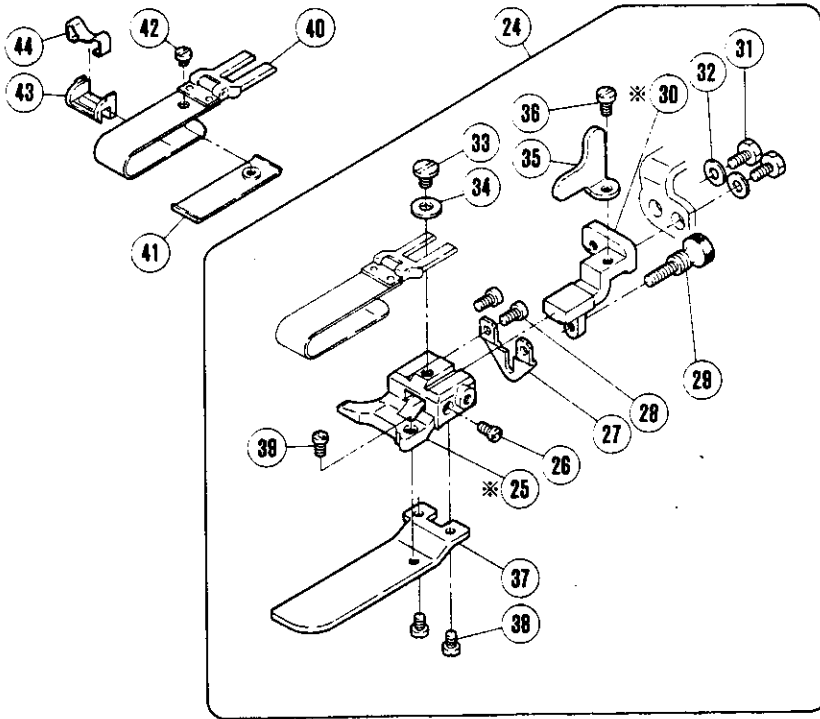
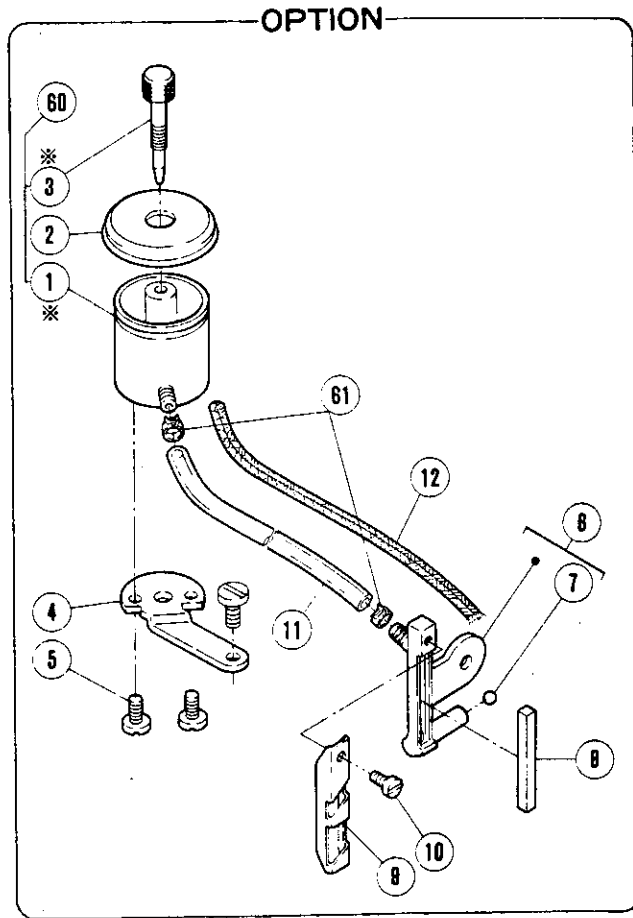
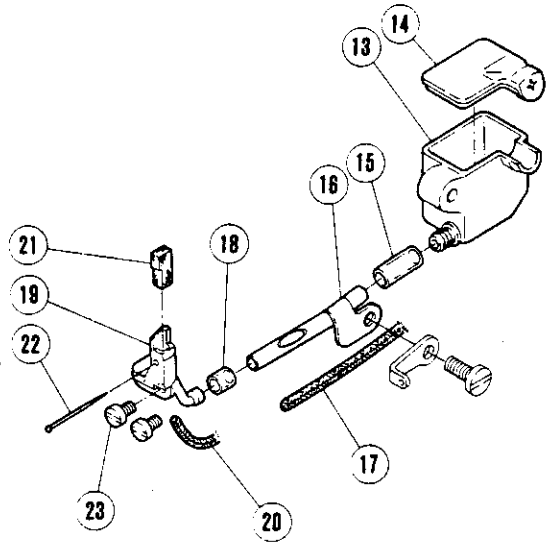
REF. NO.	PART NO.	NAME	QT.
1	213086	FOOT LIFT LEVER	1
2	7106	SCREW	1
3	5481	SCREW	1
4	210335	LINK/FOOT LIFT LEVER	1
5	212050	LEVER/FOOT LIFT	1
6	5457	SCREW	1
7	207924	WASHER	1
8	5503	SCREW	1
9	3044	NUT	1
10	240172	SPRING	1
11	212039	COLLAR	1
12	5292	SCREW	1
13	213085A	BUSHING	1
14	5325	SCREW	1
15	213219	LEVER	1
16	213220-92	COLLAR	1
17	5568	SCREW	1
18	213215-91	LEVER	1
19	5508	SCREW	1
20	213218-92	LEVER	1
21	307003	WASHER	1
22	5594	SCREW	1
23	213221	SPRING	1
24	211823	PRESSER ARM	1
25	212049	PRESSER ARM HINGE	1
26	210323	PIN	1
27	5292	SCREW	1
28	210326	SHAFT/FOOT LIFT	1
29	202451	CHAINCUTTER	1
30	2921	SCREW	1
31	212420	BRACKET/PRESSER FOOT	1
32	5089	SCREW	2
33	XXXXXX	PRESSER FOOT ASSEMBLY	1
34	5328	SCREW	1
35	212719A	SPRING	1
36	1459	SCREW	1
37	212668	UNCURLER	1
38	5030	SCREW	1
39	212059	SCREW	1
40	208774A	ADJUST SCREW	1
41	210337	SPRING	1
42	208537A91	PRESSER ARM GUIDE	1
43	211941	SPRING	1
44	213087	BRACKET	1
45	5107	SCREW	1
46	5205	SCREW	1
47	213088	HAND LIFT LEVER	1
48	5636	SCREW	1
49	213089	SPRING	1
50	5545	SCREW	1
51	256038	STOPPER	1
52	5113	SCREW	1



# LUBRICATING MECHANISM

MEMO

REF. NO.	PART NO.	NAME	QT.
1	<b>210190</b>	OIL SIGHT GAUGE	1
2	<b>211369</b>	WASHER	1
3	<b>210199</b>	NAME PLATE/OIL MONITOR	1
4	<b>210198</b>	OIL MONITOR COMPLETE	1
5	<b>212972A91</b>	TROCHOID PUMP ASSEMBLY	1
6	<b>212976</b>	TROCHOID POMP	1
7	<b>211531</b>	WORM WHEEL	1
8	<b>5060</b>	SCREW	2
13	<b>212983-91</b>	PLATE	1
14	<b>5328</b>	SCREW	3
15	<b>5095</b>	SCREW	2
16	<b>5145</b>	SCREW	1
17	<b>204185</b>	O RING	1
18	<b>212188</b>	OIL DISTRIBUTOR	1
19	<b>210202</b>	LUBRICATION BLOCK	1
20	<b>210204</b>	JOINT SCREW	1
21			
22	<b>206233</b>	OIL FILTER	1
23	<b>210200</b>	BRACKET/OIL FILTER	1
24	<b>206431</b>	O RING	1
25	<b>210201-CD</b>	OIL FILTER CAP	1
26	<b>5118</b>	SCREW	3
27	<b>9A3002</b>	FILTER SEAL	1
28	<b>210193</b>	INDICATOR COMPLETE	1
29	<b>210192</b>	INDICATOR	1
30	<b>179257-05</b>	FLOAT	1
31	<b>210194</b>	INDICATOR GUIDE	1
32	<b>210510</b>	INDICATOR SUPPORT	1
33	<b>2905</b>	SCREW	2
34	<b>213056-91</b>	OIL RESERVOIR ASSEMBLY	1
35	<b>213057</b>	OIL RESERVOIR	1
36	<b>213058</b>	AIR GUIDE	1
37	<b>5441</b>	SCREW	2
38	<b>202286</b>	SPRING WASHER	2
39	<b>5138B</b>	SCREW	1
40	<b>202287A</b>	WASHER	1
41	<b>5133</b>	BOLT	3
42	<b>202045</b>	SPRING WASHER	3
43	<b>5457</b>	SCREW	1
44	<b>202045</b>	SPRING WASHER	1
45	<b>213059</b>	GASKET	1
50	<b>212978-91</b>	ROTOR (INSIDE) SHAFT	1
51	<b>212979</b>	SHAFT	1
52	<b>212980</b>	ROTOR (INSIDE)	1
53	<b>206468</b>	PIN	1
54	<b>212981</b>	ROTOR (OUTSIDE)	1

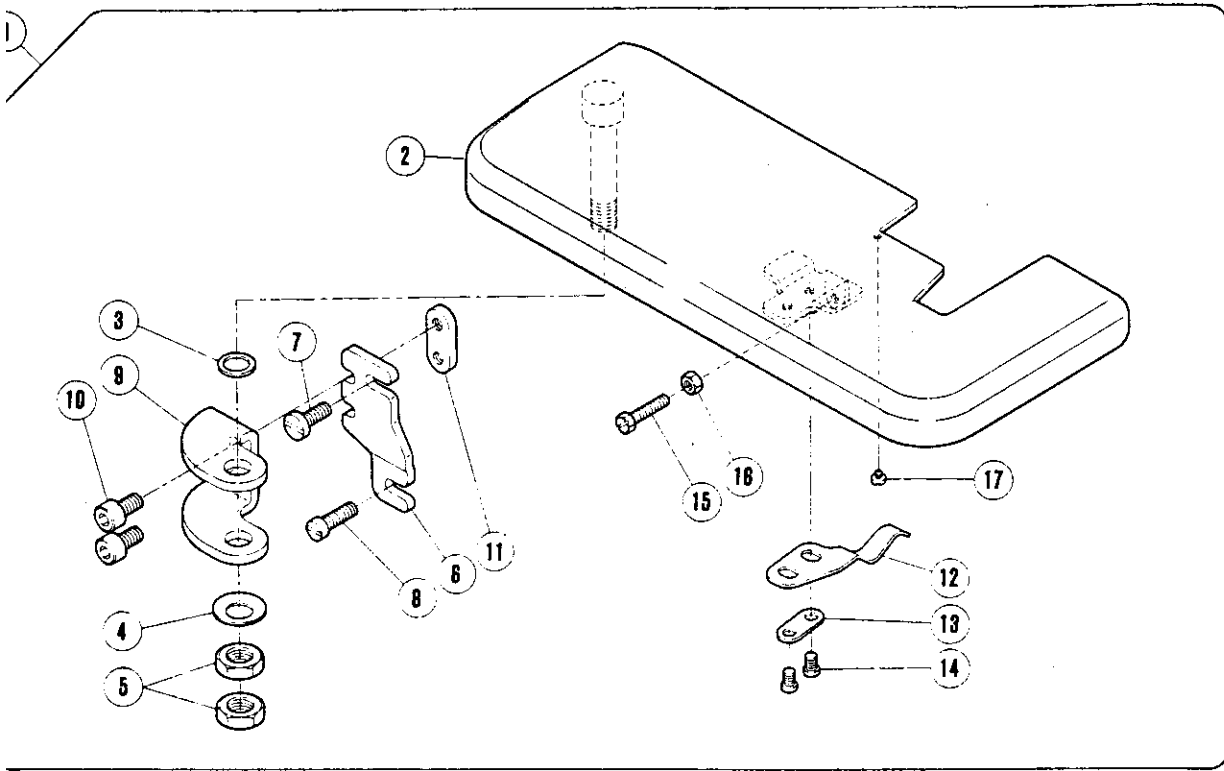




H.R. DEVICE  
BLINDHEMMING

MEMO

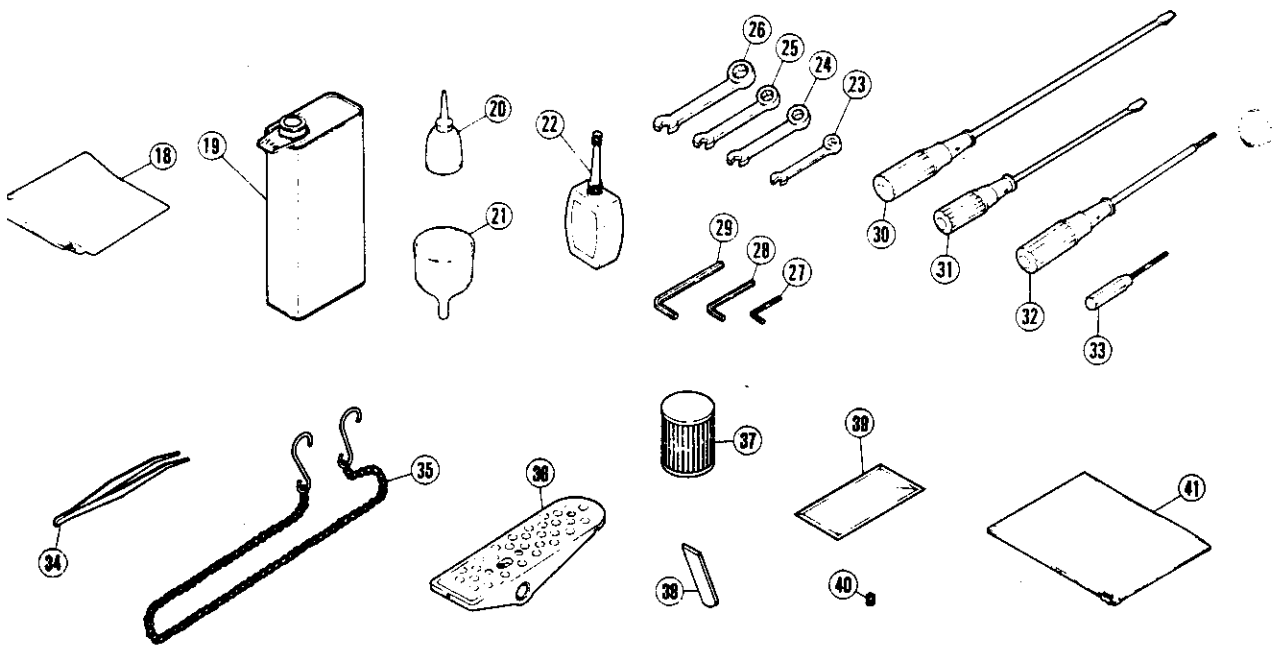
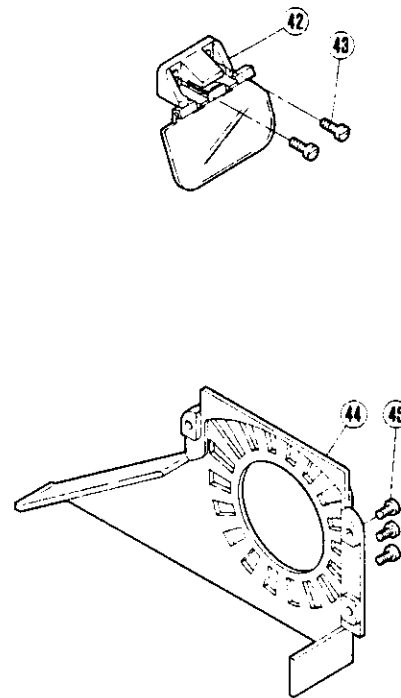
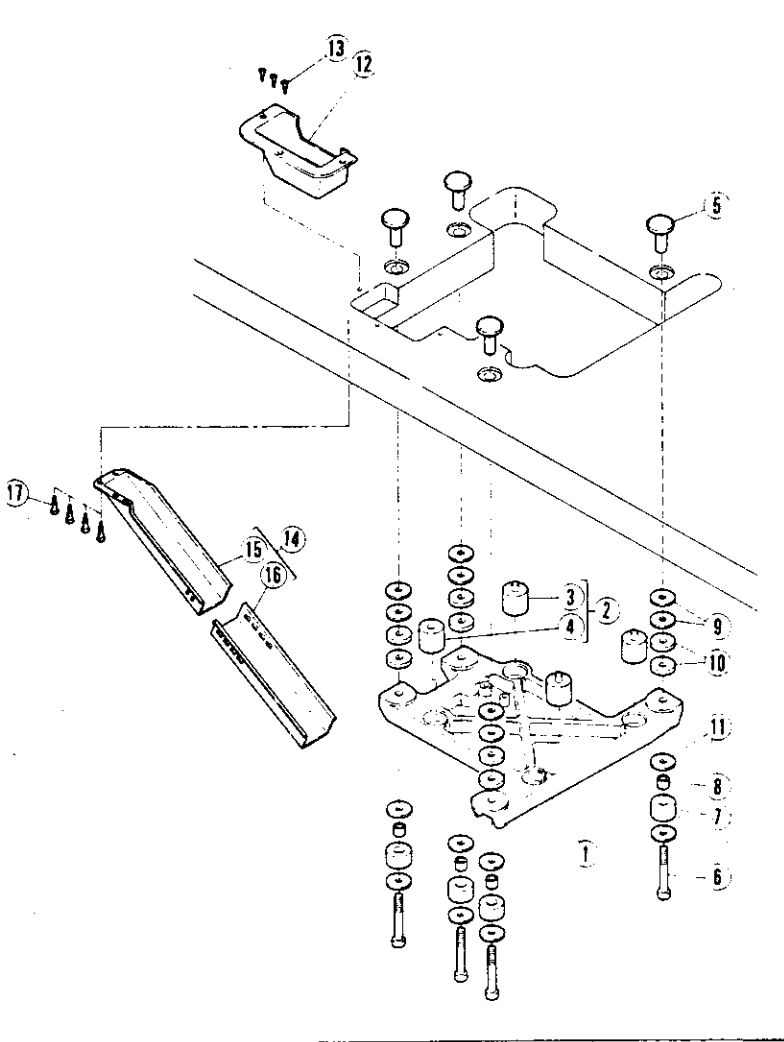
REF. NO.	PART NO.	NAME	QT.
1	202476-1	SILICONE OIL RESERVOIR	1
2	202476-4	CAP	1
3	202476-3	SILICONE OIL REGULATOR	1
4	211317	BRACKET	1
5	1202	SCREW	2
6	212635-ME	NEEDLE COOLER ASSEMBLY	1
7	240097	PLUG	1
8	211318	OIL FELT	1
9	211316	THREAD GUIDE	1
10	1202	SCREW	1
11	211319	OIL TUBE	1
12	202176	OIL WICK	1
13	213081	SILICONE RESERVOIR	1
14	213082	CAP	1
15	240176	OIL TUBE	1
16	213091-91	PIPE ASSEMBLY	1
17	202176	OIL WICK	1
18	240192	OIL TUBE	1
19	213078-91	NEEDLE COOLER COMPLETE	1
20	202174	OIL WICK	1
21	213090	OIL FELT	1
22	210766	PIN	1
23	1216	SCREW	2
24	210691A91	CLOTH GUIDE COMPLETE	1
25	205361A	CLOTH GUIDE	1
26	5057	SCREW	1
27	210689	ADJUSTING PLATE	1
28	5157	SCREW	2
29	2430	SCREW	1
30	210690	BRACKET/CLOTH GUIDE	1
31	5088	SCREW	2
32	167066	WASHER	2
33	2905	SCREW	1
34	137142	WASHER	1
35	210692	STOPPER	1
36	1206	SCREW	1
37	213095	AUX. PLATE	1
38	1229	SCREW	2
39	5057	SCREW	1
40	201211C91	FOLDER COMPLETE (40MM)	1
41	205835	AUXILIARY PLATE	1
42	5299	SCREW	1
43	303312A	REGULATOR	1
44	303313	REGULATOR CLAMP	1
45	210685	CLOTH GUIDE BRACKET ASSEMBLY	1
46	210680	CLOTH GUIDE BRACKET	1
47	210681	HINGE	1
48	5184	SCREW	1
49	201191	WASHER	1
50	3044	NUT	1
51	210682	STOPPER	1
52	5053	SCREW	1
53	210683	HINGE PIN	1
54	210684	HINGE SPRING	1
55	2906	SCREW	1
56	5118	SCREW	1
57	202286	SPRING WASHER	1
60	205897-91	SILICONE OIL RESERVOIR (UPP)	1
61	200155	TUBE CLAMP	2



# SPECIFIC PARTS

MEMO

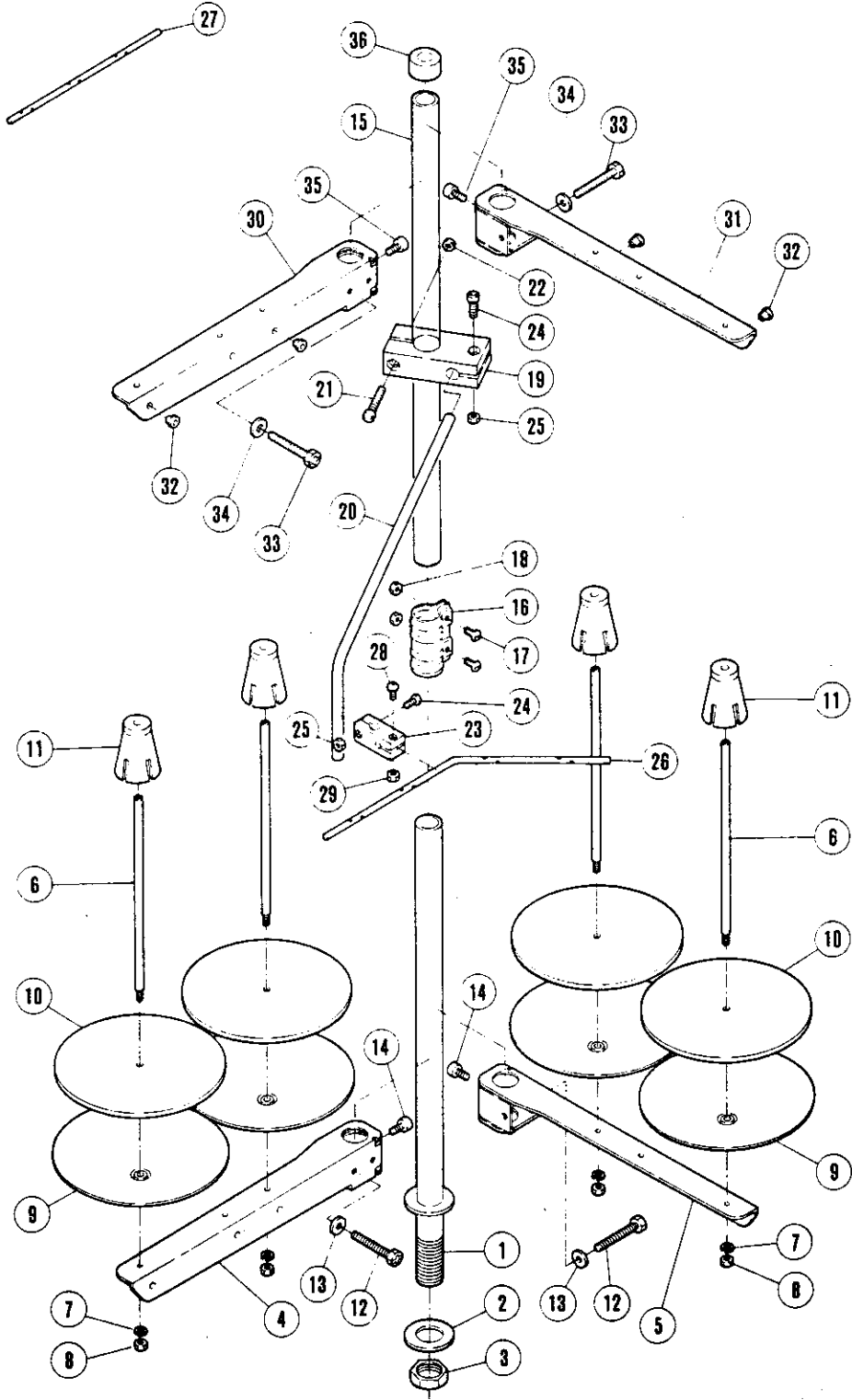
REF. NO.	PART NO.	NAME	QT.
1	<b>213265-91</b>	CLOTH PLATE COMPLETE	1
2	<b>213266-91</b>	CLOTH PLATE	1
3	<b>207045</b>	WASHER	1
4	<b>204888</b>	SPRING WASHER	1
5	<b>3154</b>	NUT	1
6	<b>213270</b>	BRACKET/SIDE COVER	1
7	<b>5118</b>	SCREW	1
8	<b>5187</b>	SCREW	1
9	<b>213271</b>	BRACKET	1
10	<b>5579</b>	SCREW	2
11	<b>213272</b>	BRACKET	1
12	<b>204218</b>	FLAT SPRING	1
13	<b>200162A</b>	WASHER	1
14	<b>5053</b>	SCREW	2
15	<b>5121A</b>	SCREW	1
16	<b>3091</b>	NUT	1
17	<b>5428</b>	SCREW	1



# ACCESSORIES

MEMO

REF. NO.	PART NO.	NAME
1	<b>213083</b>	MACHINE REST BOARD
2	<b>9029</b>	CUSHION RUBBER SET
3	<b>205473</b>	CUSHION RUBBER
4	<b>210523</b>	CUSHION RUBBER
5	<b>206336</b>	NUT
6	<b>4512</b>	HANGER BOLT
7	<b>205764</b>	CUSHION RUBBER
8	<b>205765</b>	LINER
9	<b>206337</b>	WASHER
10	<b>205467</b>	SPACER
11	<b>206337</b>	WASHER
12	<b>205470AJA</b>	WASTE CHUTE TOP
13	<b>4904</b>	SCREW
14	<b>9050</b>	WASTE CHUTE SET
15	<b>205468-JA</b>	UPPER CHUTE
16	<b>205469-JA</b>	LOWER CHUTE
17	<b>4905</b>	SCREW
18	<b>908</b>	COVER
19	<b>453</b>	OIL CONTAINER/1000CC
20	<b>485</b>	OILER
21	<b>484</b>	OIL FUNNEL
22	<b>178</b>	CONTAINER - SILICONE
23	<b>391</b>	WRENCH/5MM
24	<b>283</b>	WRENCH 6MM
25	<b>284</b>	WRENCH 7MM
26	<b>285</b>	WRENCH/8MM
27	<b>322</b>	ALLEN KEY/2.38MM
28	<b>200</b>	ALLEN KEY/4.76MM
29	<b>272</b>	ALLEN KEY/6MM
30	<b>127</b>	SCREWDRIVER (LARGE)
31	<b>128</b>	SCREWDRIVER (MEDIUM)
32	<b>414</b>	ALLEN WRENCH/3.17MM
33	<b>179</b>	DRIVER
34	<b>131</b>	TWEEZERS
35	<b>392</b>	CHAIN
36	<b>480</b>	PEDAL
37	<b>206233</b>	OIL FILTER
38	<b>XXXXXX</b>	LOWER KNIFE
39	<b>XXXXXX</b>	NEEDLE
40	<b>5292</b>	SCREW
41	<b>482</b>	ACCESSORY BAG
42	<b>208747</b>	EYE GUARD COMPLETE
43	<b>1175-3</b>	SCREW
44	<b>210028-CD</b>	BELT COVER
45	<b>5117</b>	SCREW



# THREAD STAND

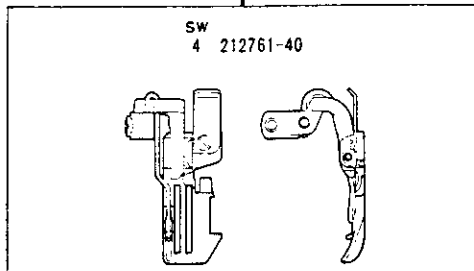
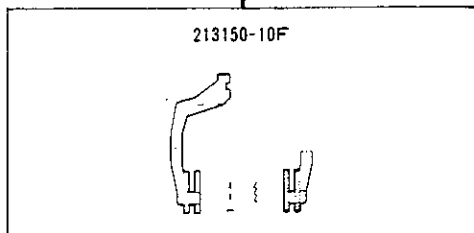
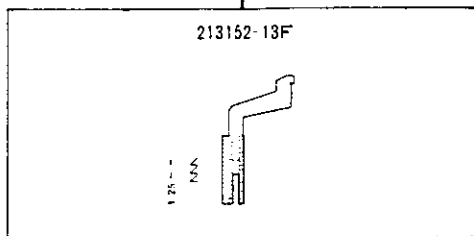
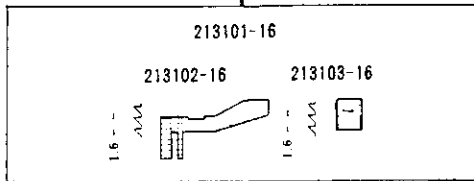
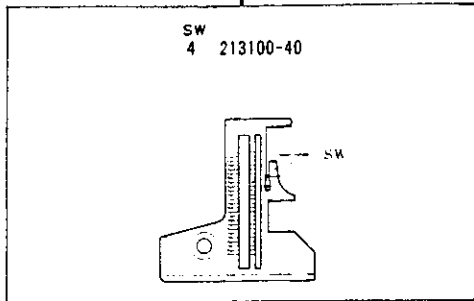
MEMO

REF. NO.	PART NO.	NAME	3-spools	4-spools
	<b>486C9C</b>	THREAD STAND ASSEMBLY	1	
	<b>486B9C</b>	THREAD STAND ASSEMBLY		1
1	<b>503-CA</b>	THEAD STAND ROD	1	1
2	<b>509</b>	WASHER	1	1
3	<b>5476</b>	NUT	1	1
4	<b>505-CA</b>	BRACKET	1	
5	<b>505ACA</b>	BRACKET		2
6	<b>380A</b>	SPOOL PIN	3	4
7	<b>201252</b>	WASHER	3	4
8	<b>4803</b>	NUT	3	4
9	<b>381-CA</b>	SPOOL TRAY	3	4
10	<b>507</b>	CUSHION	3	4
11	<b>382-CA</b>	SPPOOL RETAINING FIN	3	4
12	<b>7102</b>	SCREW	1	2
13	<b>512</b>	WASHER	1	2
14	<b>4022</b>	SCREW	1	2
15	<b>502-CA</b>	THREAD STAND ROD	1	1
16	<b>504-CA</b>	JOINT	1	1
17	<b>4021</b>	SCREW	2	2
18	<b>4805</b>	NUT	2	2
19	<b>383-CA</b>	BRACKET	1	1
20	<b>384</b>	THREAD GUIDE BAR ROD	1	1
21	<b>4014</b>	SCREW	1	1
22	<b>4803</b>	NUT	1	1
23	<b>233-CA</b>	HOLDER	1	1
24	<b>4012</b>	SCREW	2	2
25	<b>4803</b>	NUT	2	2
26	<b>293C</b>	THREAD GUIDE BAR	1	
27	<b>293B</b>	THREAD GUIDE BAR		1
28	<b>4012</b>	SCREW	1	1
29	<b>4803</b>	NUT	1	1
30	<b>505-CA</b>	BRACKET	1	
31	<b>505ACA</b>	BRACKET		2
32	<b>506</b>	THREAD EYELET	3	4
33	<b>7102</b>	SCREW	1	2
34	<b>512</b>	WASHER	1	2
35	<b>4022</b>	SCREW	1	2
36	<b>386</b>	ROD CAP	1	1

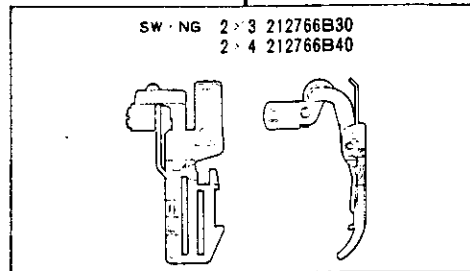
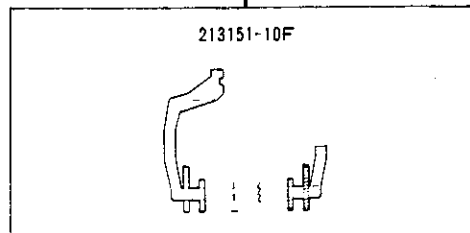
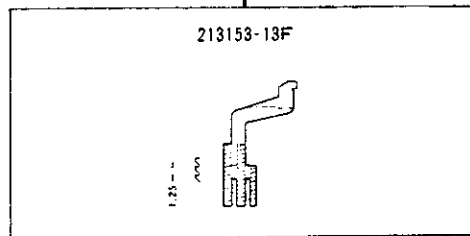
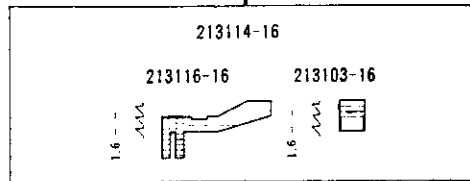
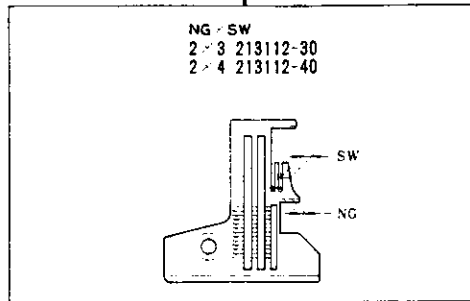
9751-210FE3/05-223  
 9751-133FA3/14-263

GUAGE PARTS  
 CONSTRUCTION CHART

9751-210FE3  
 05-223

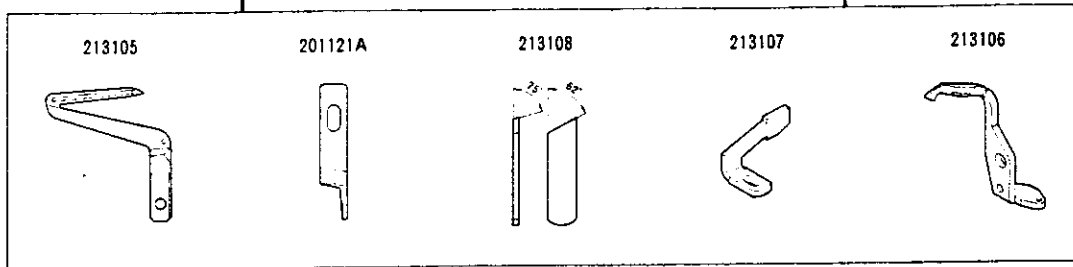
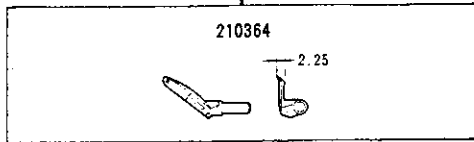
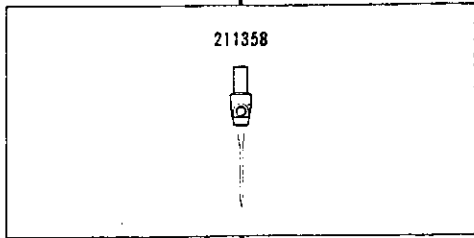


9751-133FA3  
 14-263

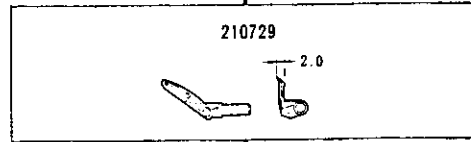
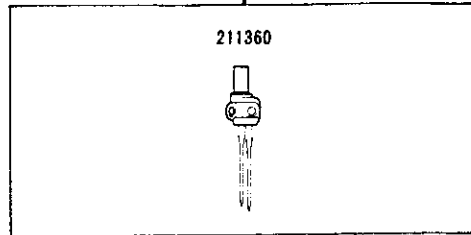




9751-210FE3  
05-223



9751-133FA3  
14-263

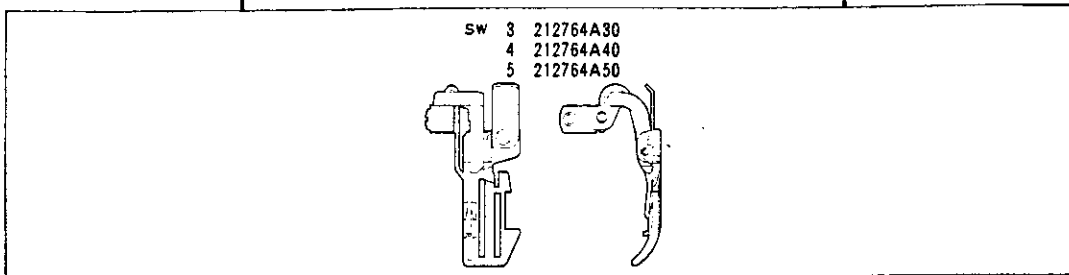
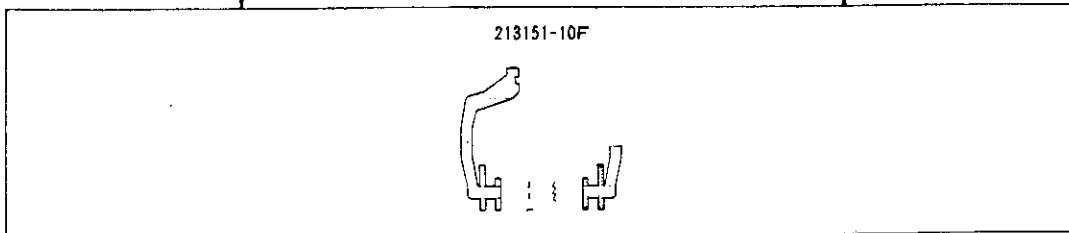
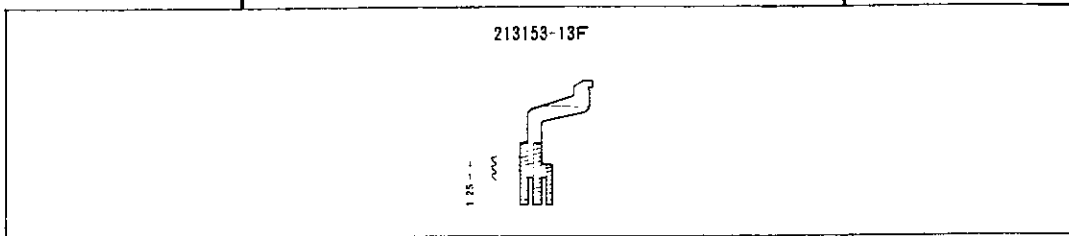
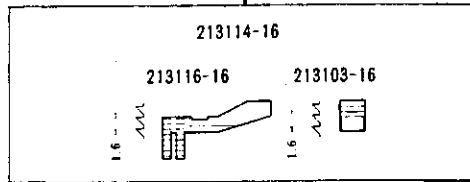
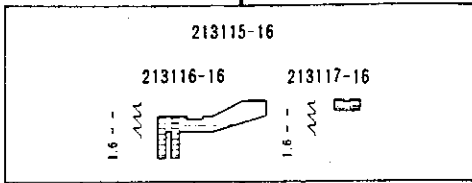
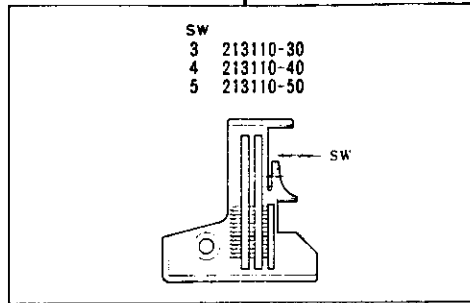
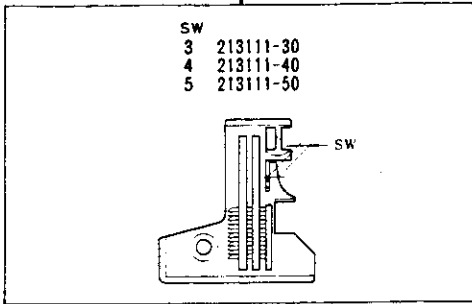


9751-141FA3/04-453  
 9751-141FA3/04-463

GAUGE PARTS  
 CONSTRUCTION CHART

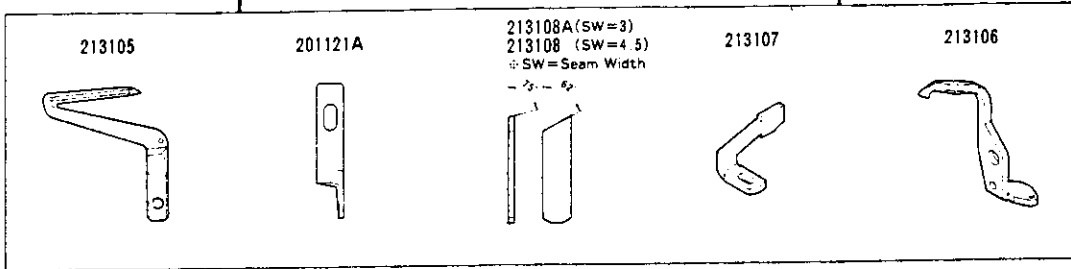
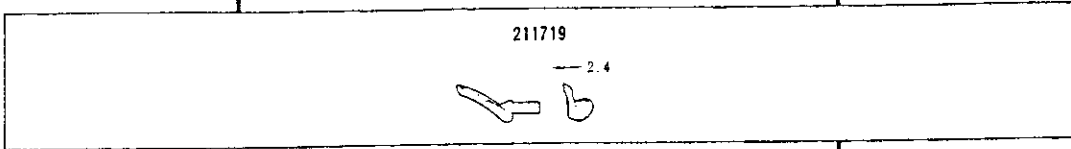
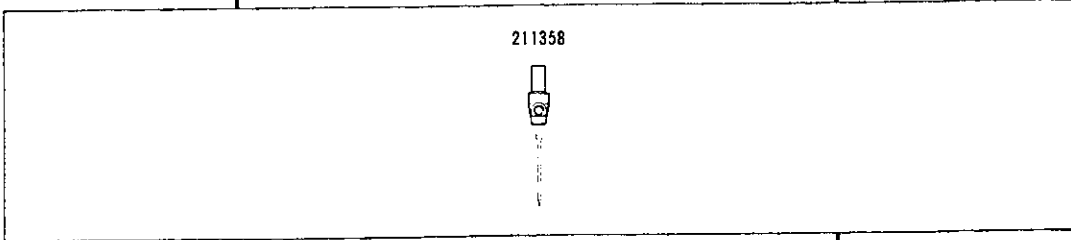
9751-141FA3  
 04-453

9751-141FA3  
 04-463



9751-141FA3  
04-453

9751-141FA3  
04-463

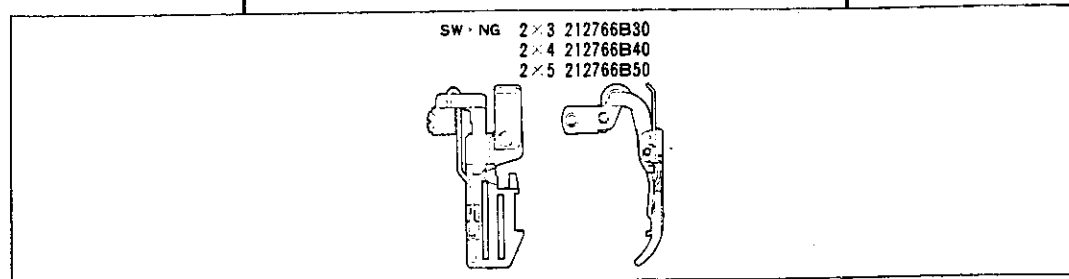
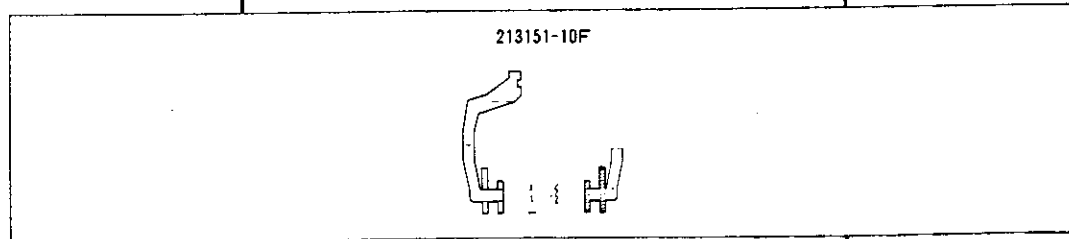
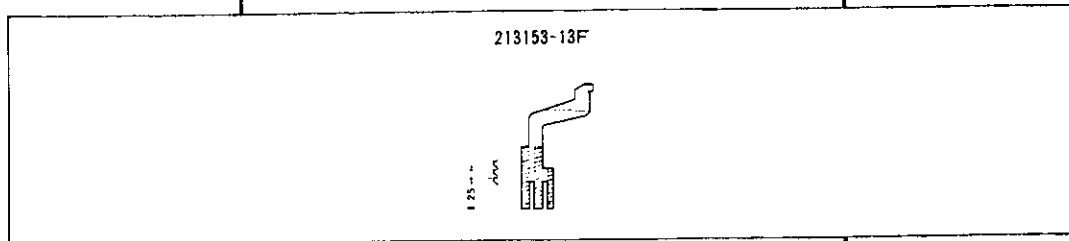
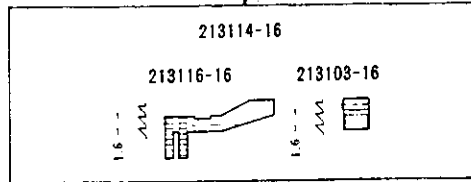
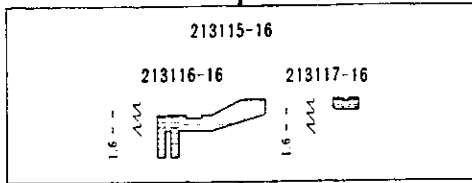
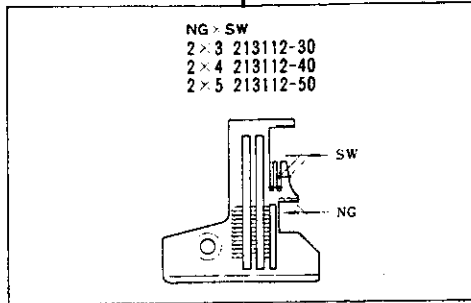
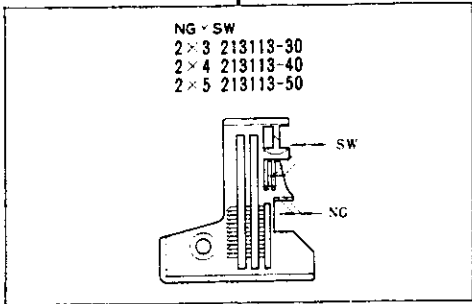


9751-142FA3/14-453  
9751-142FA3/14-463

GAUGE PARTS  
CONSTRUCTION CHART

9751-142FA3  
/14-453

9751-142FA3  
/14-463



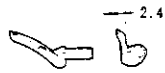
9751-142FA3  
/14-453

9751-142FA3  
/14-463

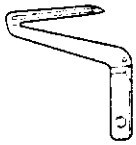
211360



211719



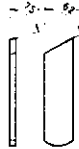
213105



201121A



213108



213107



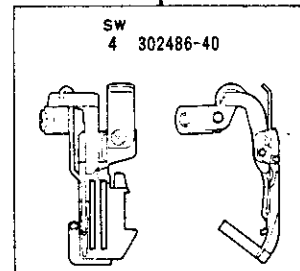
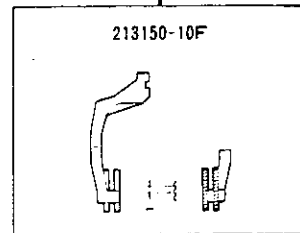
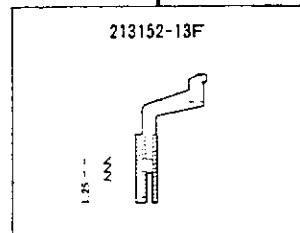
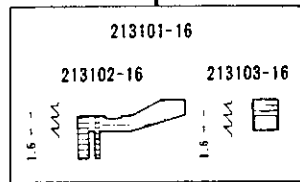
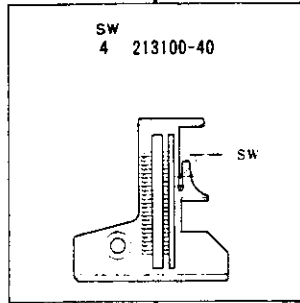
213106



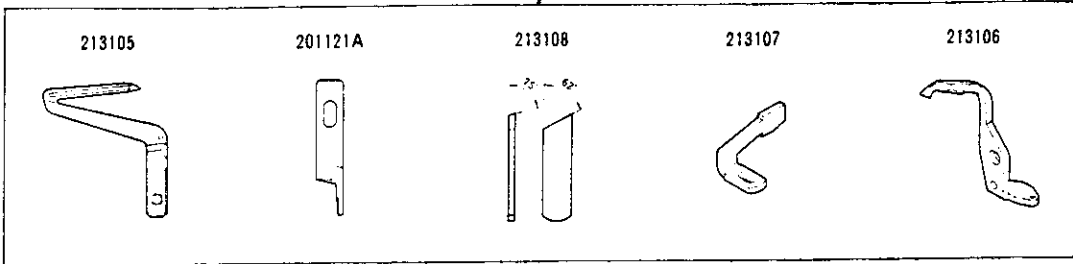
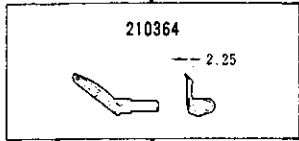
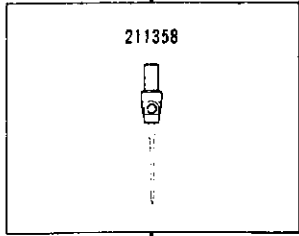
9751-213FE3/05-223

GAUGE PARTS  
CONSTRUCTION CHART

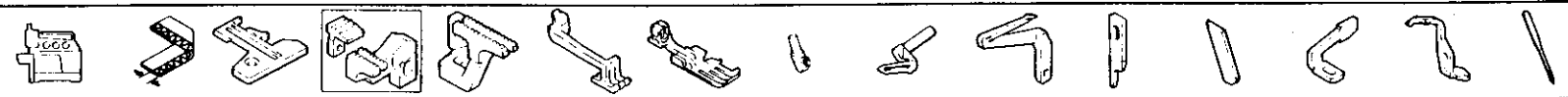
9751-213FA3  
/05-223



9751-213FA3  
05-223



9751 GAUGE PARTS LIST



MACHINE TYPE /SPEC.	GAUGE		NEEDLE PLATE	MAIN FEED DOG ASS.	DIFF. FEED DOG	TOP FEED DOG	PRESSER FOOT	NEEDLE HOLDER	UPPER LOOPER	LOWER LOOPER	UPPER KNIFE	LOWER KNIFE	NEEDLE GUARD		NEEDLE
	NG	SU											(FRONT)	(REAR)	
9751-141FA3 /04-453		3	213111-30	213115-16	213153-13F	213151-10F	212764A30	211358	211719	213105	201121A	213108A	213107	213106	629
		4	" -40	"	"	"	" A40	"	" #38	"	"	213108	"	"	#11
		5	" -50	"	"	"	" A50	"	"	"	"	"	"	"	"
9751-141FA3 /04-463		3	213110-30	213114-16	213153-13F	213151-10F	212764A30	211358	211719	213105	201121A	213108A	213107	213106	629
		4	" -40	"	"	"	" A40	"	" #38	"	"	213108	"	"	#11
		5	" -50	"	"	"	" A50	"	"	"	"	"	"	"	"
9751-210FE3 /05-223		4	213100-40	213101-16	213152-13F	213150-10F	212761-40	211358	210364	213105	201121A	213108	213107	213106	642
9751-213FE3 /05-223		4	213100-40	213101-16	213152-13F	213150-10F	302486-40	211358	210364	213105	201121A	213108	213107	213106	642
9751-133FA3 /14-263	2	3	213112-30	213114-16	213153-13F	213151-10F	212766B30	211360	210729	213105	201121A	213108	213107	213106	642
	2	4	" -40	"	"	"	" B40	"	" #30	"	"	"	"	"	#9
	2	5	" -50	"	"	"	" B50	"	"	"	"	"	"	"	#9
9751-142FA3 /14-453	2	3	213113-30	213115-16	213153-13F	213151-10F	212766B30	211360	211719	213105	201121A	213108	213107	213106	629
	2	4	" -40	"	"	"	" B40	"	" #38	"	"	"	"	"	#11
	2	5	" -50	"	"	"	" B50	"	"	"	"	"	"	"	"
9751-142FA3 /14-463	2	3	213112-30	213114-16	213153-13F	213151-10F	212766B30	211360	211719	213105	201121A	213108	213107	213106	629
	2	4	" -40	"	"	"	" B40	"	" #38	"	"	"	"	"	#11
	2	5	" -50	"	"	"	" B50	"	"	"	"	"	"	"	"



# INDEX

PART NO.	PPAFF-NO	PAGE	NO. REF.	PART NO.	PPAFF-NO	PAGE	NO. REF.	PART NO.	PPAFF-NO	PAGE	NO. REF.
127	91-029 007-91	41	30	3091	09-009 053-50	39	16	5292	09-009 064-89	13	22
128	91-029 480-91	41	31	3154	09-009 814-97	39	5	5292	09-009 064-89	13	29
131	09-009 815-08	41	34	4009-1	09-009 053-53	7	56	5292	09-009 064-89	15	28
178	09-009 600-03	41	22	4009-1	09-009 053-53	11	8	5292	09-009 064-89	15	30
179	09-009 071-00	41	33	4012	09-009 612-25	43	24	5292	09-009 064-89	15	33
200	09-009 815-07	41	28	4012	09-009 612-25	43	28	5292	09-009 064-89	19	42
233-CA	09-009 815-17	43	23	4014	09-009 612-27	43	21	5292	09-009 064-89	25	29
272	09-009 612-01	41	29	4021	09-400 786-00	43	17	5292	09-009 064-89	29	27
283	09-009 048-24	41	24	4022	09-400 787-00	43	14	5292	09-009 064-89	33	12
284	09-009 048-25	41	25	4022	09-400 787-00	43	35	5292	09-009 064-89	33	27
285	09-009 048-26	41	26	4512	09-400 788-00	41	6	5292	09-009 064-89	41	40
293B	09-400 769-00	43	27	4803	09-009 612-30	43	8	5293	09-009 067-97	7	21
293C	09-400 770-00	43	26	4803	09-009 612-30	43	22	5299	09-009 067-14	37	42
322	09-009 815-06	41	27	4803	09-009 612-30	43	25	5316	09-009 601-16	25	7
380A	09-009 807-04	43	6	4803	09-009 612-30	43	29	5321A	09-009 069-59	29	7
381-CA	09-009 612-14	43	9	4805	09-400 065-00	43	18	5325	09-400 069-00	13	8
382-CA	09-009 815-13	43	11	4904	09-009 612-31	41	13	5325	09-400 069-00	33	14
383-CA	09-009 815-16	43	19	4905	09-009 612-32	41	17	5328	09-009 071-11	33	34
384	09-009 612-17	43	20	5002	09-009 053-54	7	46	5328	09-009 071-11	35	14
386	09-009 612-19	43	36	5002	09-009 053-54	27	19	5332A	09-009 813-11	5	13
391	09-009 800-01	41	23	5012	09-009 065-32	31	23	5345	09-009 070-23	7	57
392	09-009 734-77	41	35	5022	09-009 068-68	13	15	5357	09-009 067-95	3	6
414	09-009 732-53	41	32	5022	09-009 068-68	15	26	5376	09-009 612-37	9	5
453	09-009 734-78	41	19	5029	09-009 053-59	11	2	5376	09-009 612-37	9	7
480	09-009 815-09	41	36	5030	09-009 053-60	33	38	5376	09-009 612-37	9	9
482	09-400 028-00	41	41	5050	09-009 732-58	11	23	5376	09-009 612-37	9	13
484	09-400 029-00	41	21	5053	09-009 053-62	27	21	5427	09-009 611-79	7	38
485	09-400 030-00	41	20	5053	09-009 053-62	37	52	5428	09-009 608-76	39	17
486B9C	09-400 773-00	43	20	5053	09-009 053-62	39	14	5434	09-009 612-39	5	18
486C9C	09-400 774-00	43	20	5057	09-009 053-63	37	26	5437	09-009 606-28	19	45
502-CA	09-009 815-14	43	15	5057	09-009 053-63	37	39	5441	09-009 601-52	35	37
503-CA	09-009 815-12	43	1	5059	09-009 612-34	13	19	5446	09-009 807-18	15	21
504-CA	09-009 815-15	43	16	5060	09-009 053-64	13	36	5457	09-009 612-42	9	11
505-CA	09-400 781-00	43	4	5060	09-009 053-64	35	8	5457	09-009 612-42	9	15
505-CA	09-400 781-00	43	30	5061	09-009 053-65	29	11	5457	09-009 612-42	13	31
505ACA	09-400 780-00	43	5	5078	09-009 053-69	5	1	5457	09-009 612-42	13	33
505ACA	09-400 780-00	43	31	5082A	09-009 053-74	15	8	5457	09-009 612-42	21	16
506	09-400 782-00	43	32	5082A	09-009 053-74	19	10	5457	09-009 612-42	23	39
507	09-400 783-00	43	10	5082A	09-009 053-74	21	10	5457	09-009 612-42	23	43
509	09-400 784-00	43	2	5084	09-009 053-76	31	19	5457	09-009 612-42	31	11
512	09-400 785-00	43	13	5088	09-009 053-80	31	7	5457	09-009 612-42	33	6
512	09-400 785-00	43	34	5088	09-009 053-80	37	31	5457	09-009 612-42	35	43
629	49-000 840-00	52	2	5089	09-009 053-81	27	31	5461	09-009 612-44	9	4
908	09-400 032-00	41	18	5089	09-009 053-81	33	32	5461	09-009 612-44	11	12
1174	09-009 067-44	13	39	5091	09-009 067-20	27	33	5461	09-009 612-44	19	51
1175-2	09-009 048-13	23	13	5095	09-009 053-83	7	2	5461	09-009 612-44	23	41
1175-2	09-009 048-13	23	24	5095	09-009 053-83	35	15	5461	09-009 612-44	23	47
1175-2	09-009 048-13	27	17	5107	09-009 605-41	33	45	5461	09-009 612-44	25	9
1175-3	09-009 048-14	41	43	5113	09-009 054-70	33	52	5461	09-009 612-44	31	13
1186	09-009 048-15	29	19	5117	09-009 053-88	5	21	5476	09-009 612-45	43	3
1202	09-009 048-17	21	18	5117	09-009 053-88	7	30	5481	09-009 612-48	33	3
1202	09-009 048-17	37	5	5117	09-009 053-88	11	17	5484-HC	09-009 612-51	13	35
1202	09-009 048-17	37	10	5117	09-009 053-88	15	37	5485	09-009 612-52	13	2
1206	09-009 048-19	37	36	5117	09-009 053-88	25	13	5486	09-009 612-53	25	15
1216	09-009 048-20	7	11	5117	09-009 053-88	27	4	5489	09-009 612-56	23	18
1216	09-009 048-20	37	23	5117	09-009 053-88	29	2	5489	09-009 612-56	27	12
1229	09-009 048-22	19	40	5117	09-009 053-88	41	45	5489	09-009 612-56	29	31
1229	09-009 048-22	37	38	5118	09-009 053-89	25	18	5492	09-009 612-57	23	15
1231	09-009 048-09	19	28	5118	09-009 053-89	31	4	5503	09-009 732-59	33	8
1231	09-009 048-09	21	29	5118	09-009 053-89	35	26	5506	09-009 805-22	23	30
1234	09-009 048-23	7	19	5118	09-009 053-89	37	56	5508	09-009 814-70	33	19
1333	09-009 048-27	15	39	5118	09-009 053-89	39	7	5519	09-009 732-60	19	15
1457	09-009 048-64	13	10	5121A	09-009 815-03	39	15	5519	09-009 732-60	21	12
1459	09-009 053-73	23	4	5133	09-009 612-35	35	41	5522	09-009 732-61	11	24
1459	09-009 053-73	23	6	5137	09-009 053-91	15	12	5523	09-009 732-62	11	22
1459	09-009 053-73	33	36	5137	09-009 053-91	35	39	5531	09-009 814-22	23	35
2193	09-009 053-37	19	19	5138B	09-009 067-17	5	17	5535	09-009 807-21	15	17
2193	09-009 053-37	21	34	5142	09-009 053-94	5	17	5535	09-009 807-21	15	19
2193	09-009 053-37	29	4	5145	09-009 600-26	35	16	5535	09-009 814-79	33	50
2193	09-009 053-37	3	32	5152	09-009 053-99	19	12	5545	09-009 732-64	19	25
2237	09-009 819-96	3	32	5156	09-009 813-55	7	35	5546	09-009 732-64	19	25
2430	09-009 053-41	37	29	5157	09-009 804-01	37	28	5546	09-009 732-64	21	26
2902	09-009 053-42	19	34	5163	09-009 054-71	5	11	5556	09-009 813-12	5	20
2902	09-009 053-42	21	20	5163	09-009 054-71	7	15	5568	09-009 732-65	27	27
2905	09-009 053-44	7	17	5170A	08-008 813-63	7	55	5568	09-009 732-65	33	17
2905	09-009 053-44	7	23	5184	09-009 054-02	37	48	5579	09-009 815-00	39	10
2905	09-009 053-44	7	41	5187	09-009 601-05	39	8	5589	09-009 732-66	7	7
2905	09-009 053-44	7	51	5198	09-009 054-04	7	4	5594	09-009 732-67	25	4
2905	09-009 053-44	15	15	5205	09-009 069-93	31	29	5594	09-009 732-67	29	15
2905	09-009 053-44	19	13	5205	09-009 069-93	33	46	5594	09-009 732-67	29	21
2905	09-009 053-44	25	21	5231	09-009 054-77	23	27	5594	09-009 732-67	29	24
2905	09-009 053-44	27	37	5234	09-009 065-83	23	2	5594	09-009 732-67	31	15
2905	09-009 053-44	35	33	5282	09-009 612-36	19	37	5594	09-009 732-67	33	22
2905	09-009 053-44	37	33	5284	09-009 067-39	17	11	5597	09-009 732-70	27	24
2906	09-009 612-23	37	55	5284	09-009 067-39	17	23	5597	09-009 732-70	31	21
2921	09-009 053-46	7	49	5292	09-009 064-89	7	8	5629	09-009 813-93	17	12
2921	09-009 053-46	21	22	529							

# INDEX

PART NO.	PFAFF-NO	PAGE	NO. REF.	PART NO.	PFAFF-NO	PAGE	NO. REF.	PART NO.	PFAFF-NO	PAGE	NO. REF.
5636	09-009 814-77	33	48	204293	09-009 602-07	11	25	210171	09-009 614-41	29	3
5641		31	25	204439A	09-009 602-09	23	8	210173	09-009 614-43	9	6
7041	09-009 814-11	23	9	204657	09-009 812-08	19	2	210175	09-009 614-45	31	12
7054	91-179 131-15	17	5	204657	09-009 812-08	21	2	210178A	09-009 814-56	31	3
7054	91-179 131-15	17	17	204754A	09-009 814-34	25	8	210190	09-009 614-57	35	1
7102	09-400 792-00	43	12	204757	09-009 068-27	25	10	*210192	09-009 614-59	35	29
7102	09-400 792-00	43	33	204870	09-009 602-44	29	6	210193	09-009 614-60	35	28
7106	09-009 814-63	33	2	204888	09-009 602-49	29	8	210194	09-009 614-61	35	31
8421	09-009 805-06	5	25	204888	09-009 602-49	39	4	210198	09-009 615-50	35	4
9029	09-009 734-85	41	2	*205361A	09-009 814-94	37	25	210199	09-009 614-63	35	3
9050	09-009 815-93	41	14	205467	09-009 603-76	41	10	210200	09-009 614-64	35	23
137142	09-009 048-30	37	34	205468-JA	09-009 603-77	41	15	210201-FD	09-009 815-71	35	25
167066	09-009 601-53	37	32	205469-JA	09-009 603-78	41	16	210202	09-009 614-66	35	19
179066-02	91-179 066-02	19	47	205470AJA	09-009 815-05	41	12	210204	09-009 614-68	35	20
179066-05	91-179 066-05	19	48	205473	09-009 603-80	41	3	210223	09-009 614-83	7	10
179130-05	91-179 130-05	17	6	205724	91-179 361-95	5	5	210230	09-009 614-88	13	30
179130-05	91-179 130-05	17	18	205724	91-179 361-95	7	12	210231	09-009 614-89	13	32
179177-05	91-179 177-05	23	1	205764	09-009 612-87	41	7	210232A	09-009 807-42	13	16
179178-05	91-179 178-05	23	7	205765	09-009 612-88	41	8	210233	09-009 614-91	3	3
*179257-05	91-179 257-05	35	30	205835	09-009 800-07	37	41	210234	09-009 614-92	3	4
198192	09-009 605-10	7	13	205897-91	09-009 820-00	37	60	210235	09-009 614-93	13	11
200098	09-009 048-70	29	5	206128-2	09-009 612-90	11	6	210236	09-009 614-94	13	14
200138	09-009 066-59	5	19	206129	09-009 612-91	11	4	*210237A	09-009 813-79	13	21
200155	09-009 065-56	37	61	206180	09-009 612-92	19	23	210238-2	09-009 614-96	13	13
200162A	09-009 815-02	39	13	206180	09-009 612-92	31	9	210239	09-009 614-97	13	1
201002	09-009 601-58	3	5	206233	09-009 070-13	35	22	210240	09-009 614-98	13	3
201002	09-009 601-58	3	8	206233	09-009 070-13	41	37	210241	09-009 614-99	13	4
201022	09-009 049-09	29	13	206336	09-009 604-60	41	5	210242	09-009 615-00	13	7
201037	09-009 049-22	15	4	206337	09-009 612-93	41	9	210244	09-009 615-02	13	25
201056	09-009 049-35	13	9	206337	09-009 612-93	41	11	210267	09-009 615-22	19	22
201068	09-009 049-44	19	6	206431	09-009 070-62	35	24	210297	09-009 615-49	3	11
201086	09-009 049-57	21	6	206468	09-009 820-01	35	53	210314	09-009 615-64	31	10
201089	09-009 049-60	21	14	206768	09-009 813-75	11	7	210319	09-009 615-68	15	6
201107	09-009 049-99	29	17	207045	09-400 142-00	39	3	210319	09-009 615-68	19	8
201121A	09-009 050-06	52		207924	09-400 145-00	25	26	210319	09-009 615-68	21	8
201185	09-009 050-38	25	22	207924	09-400 145-00	33	7	210323	09-009 615-71	33	26
201191	09-009 050-43	37	49	208235	09-009 606-51	31	17	210326	09-009 615-74	33	28
201211C91	09-009 819-99	37	40	208447-BA	09-009 813-81	15	2	210328	09-009 615-75	27	2
201252	09-009 050-73	43	7	208447-BA	09-009 813-81	19	4	210335	09-009 615-80	33	4
201439A	09-009 612-70	19	1	208447-BA	09-009 813-81	21	4	210337	09-009 615-82	33	41
201439A	09-009 612-70	21	1	208448	09-009 607-59	15	3	210349	09-009 615-93	19	11
201629	12-610 150-45	25	25	208448	09-009 607-59	19	5	210350	09-009 615-94	19	14
201635	09-009 051-55	13	35	208448	09-009 607-59	21	5	210351	09-009 615-95	19	33
201880	09-009 813-83	15	13	208449	09-009 607-60	15	7	210364	09-009 616-03	52	
202045	12-500 190-45	35	42	208449	09-009 607-60	19	9	210510	09-009 617-04	35	32
202045	12-500 190-45	35	44	208449	09-009 607-60	21	9	210511	09-009 617-05	13	18
202174	09-009 612-71	13	23	208450-BA	09-009 813-82	15	5	210523	09-009 617-14	41	4
202174	09-009 612-71	13	28	208450-BA	09-009 813-82	19	7	210528	09-009 617-16	5	9
202174	09-009 612-71	37	20	208450-BA	09-009 813-82	21	7	210529-BA	09-009 812-91	15	1
202175	09-009 601-64	5	8	208537A91	09-009 814-74	33	42	210529-BA	09-009 812-91	15	11
202175	09-009 601-64	13	12	208579	09-009 612-98	31	5	210530-BA	09-009 812-90	21	3
202175	09-009 601-64	17	7	208747	09-009 603-37	41	42	210531-BA	09-009 812-92	19	3
202175	09-009 601-64	17	19	208774A	09-009 814-73	33	40	210532	09-009 617-20	25	28
202175	09-009 601-64	19	50	210002	09-009 613-02	5	12	210533	09-009 617-21	25	27
202176	26-536 302-09	17	9	210028-CD	09-009 815-10	41	44	210585	09-009 617-43	19	29
202176	26-536 302-09	17	21	210035	09-009 613-27	7	3	210585	09-009 617-43	21	30
202176	26-536 302-09	27	34	210044	09-009 613-33	7	50	210679	09-009 617-74	5	4
202176	26-536 302-09	37	12	210055	09-009 613-43	11	15	210679	09-009 617-74	5	24
202176	26-536 302-09	37	17	210056	09-009 613-44	11	18	210680	09-009 617-75	37	46
202286	09-009 051-75	19	20	210057	09-009 613-45	11	19	210681	09-009 617-76	37	47
202286	09-009 051-75	19	26	210057	09-009 613-45	13	6	210682	09-009 617-77	37	51
202286	09-009 051-75	21	27	210058	09-009 613-46	11	20	210683	09-009 617-78	37	53
202286	09-009 051-75	21	35	210062	09-009 613-49	11	1	210684	09-009 617-79	37	54
202286	09-009 051-75	35	38	210067	09-009 613-54	3	9	210685	09-009 617-80	37	45
202286	09-009 051-75	37	57	210068	09-009 613-55	3	10	210689	09-009 617-83	37	27
202287A	09-009 051-76	35	40	210069	09-009 613-56	13	17	*210690	09-009 617-84	37	30
202340	09-009 612-73	31	26	210069	09-009 613-56	31	8	210691A91	09-009 814-93	37	24
202451	09-009 051-81	33	29	210089	09-009 613-70	15	14	210692	09-009 617-86	37	35
*202476-1	09-009 732-73	37	1	210091	09-009 613-72	9	8	210729	09-009 617-97	52	
*202476-3	09-009 065-49	37	3	210091	09-009 613-72	9	12	210731	09-009 618-51	9	19
202476-4	09-009 065-50	37	2	210092	09-009 613-73	19	24	210732	09-009 618-52	9	21
202526	09-009 601-69	5	14	210092	09-009 613-73	21	25	210733	09-009 618-50	9	14
202577	09-009 052-61	13	26	210093	09-009 613-74	19	27	210750	09-009 618-26	15	25
202875	09-009 601-76	19	16	210093	09-009 613-74	21	28	210751	09-009 618-49	15	24
202875	09-009 601-76	21	13	210098	09-009 613-77	19	21	210766	09-009 618-38	37	22
204006	09-009 601-82	5	22	210099A	09-009 813-96	19	17	211190	09-009 814-33	25	6
204052A	09-009 064-62	21	24	210100	09-009 613-79	19	18	211301	12-305 174-15	25	16
204052A	09-009 064-62	25	2	210101	09-009 613-80	3	19	211313	09-009 820-18	7	5
204052A	09-009 064-62	29	12	210102	09-009 613-81	3	20	211316	09-009 732-89	37	9
204084-2	09-009 055-52	23	48	210103	09-009 613-82	19	30	211317	09-009 732-90	37	4
204089	09-009 055-57	3	21	210123	09-009 614-00	21	32	211318	09-009 732-91	37	8
204107	09-009 067-58	21	33	210125	09-009 614-02	3	22	211319	09-009 732-92	37	11
204114	09-009 064-01	23	26	210140	09-009 614-15	23	44	211346-BD	09-009 813-77	11	21
204115	09-009 064-02	23	19	210143	09-009 614-18	3	15	211358	09-009 732-95	52	
204115	09-009 064-02	23	28	210148	09-009 614-23	23	17	211360	09-009 732-96	52	
204115	09-009 064-02	27	11	210148	09-009 614-23	27	10	211369	09-009 732-97	35	2
204115	09-009 064-02	29	30	210148	09-009 614-23	29	29	211391	09-009 733-03	21	11
204146	09-009 065-81	13	34	210156	09-009 614-28	11	5	211526	09-009 733-09	11	13
204185	09-009 067-40	35	17	210167	09-009 614-38	25	14	211527	09-009 733-10	11	9
204218	09-009 064-49	39	12	210171	09-009 614-41	25	20	211528	09-009 733-11	11	16

# INDEX

PART NO.	PFAFF-NO	PAGE	NO. REF.	PART NO.	PFAFF-NO	PAGE	NO. REF.	PART NO.	PFAFF-NO	PAGE	NO. REF.
211529	09-009 733-12	11	14	213021	09-009 814-03	19	41	213209	09-009 813-20	7	16
211531	09-009 733-14	35	7	213022-92	09-009 813-92	17	10	213210	09-009 814-41	27	13
211659A	09-009 813-99	19	35	213022A92	09-009 813-95	17	22	213212	09-009 814-42	27	14
211719	09-009 733-31	52		213023	09-009 813-91	17	8	213213	09-009 814-43	27	18
211799-CD	09-009 813-16	7	1	213023	09-009 813-91	17	20	213214	09-009 814-44	27	20
211800	09-009 804-39	15	9	213024	09-009 814-00	19	36	213215-91	09-009 814-69	33	18
211801	09-009 804-37	15	10	213025	09-009 814-05	19	44	213218-92	09-009 814-71	33	20
211823	09-009 733-34	33	24	213026-91	09-009 813-62	7	54	213219	09-009 814-67	33	15
211941	09-009 733-46	33	43	213029-92	09-009 814-06	21	15	213220-92	09-009 814-68	33	16
211958	09-009 733-49	7	9	213031-92	09-009 814-27	23	45	213221	09-009 814-72	33	23
211959-BD	09-009 813-18	7	6	213032-92	09-009 814-26	23	42	213222	09-009 814-54	31	1
212006	09-009 733-55	7	14	213033	09-009 814-12	23	10	213223-91	09-009 819-03	27	32
212009A	09-009 813-40	7	20	213034	09-009 814-16	23	22	213227	09-009 814-47	27	35
212010-CD	09-009 813-15	5	15	213035	09-009 814-24	23	37	*213230-CD	09-009 820-10	3	30
212011	09-009 733-60	5	16	213036	09-009 814-13	23	16	*213231-CD	09-009 820-11	3	31
212015	09-009 733-61	27	23	213037	09-009 814-21	23	34	213250	09-009 813-84	15	20
212021	09-009 733-64	27	6	213038	09-009 814-23	23	36	213251	09-009 812-88	15	16
212025	09-009 733-65	27	3	213039-92	09-009 814-25	23	38	213252	09-009 812-89	15	18
212026	09-009 733-66	27	5	213042	09-009 814-17	23	25	213253	09-009 814-08	21	21
212034	09-009 733-70	29	18	213043	09-009 814-14	23	20	213254	09-009 814-07	21	19
212035A92	09-009 814-53	29	23	213044	09-009 819-02	23	29	213255	09-009 814-02	19	39
*212036	09-009 733-72	27	9	213045	09-009 814-20	23	33	213256	09-009 813-97	19	31
212037	09-009 733-73	3	14	213046	09-009 814-18	23	31	213257	09-009 814-09	21	23
212038	09-009 733-74	3	13	213047	09-009 814-31	25	1	213258	09-009 813-98	19	32
212039	09-400 152-00	29	26	213048-92	09-009 814-32	25	3	213259	09-009 816-71	15	50
212039	09-400 152-00	33	11	213049	09-009 814-35	25	12	213261-CD	09-009 813-41	7	24
212040	09-009 733-76	29	28	213050	09-009 814-36	25	11	213262	09-009 813-59	7	45
212042A	09-009 814-49	29	9	213051	09-009 814-37	25	17	213263	09-009 813-60	7	48
212049	09-009 733-82	33	25	213052	09-009 814-39	25	23	213264-91	09-009 817-00	31	28
212050	09-009 733-83	33	5	213053	09-009 814-40	25	24	213265-91	91-009 812-19	39	1
212059	09-009 733-88	33	39	213054	09-009 814-60	31	24	213266-91	09-009 814-96	39	2
212144	09-009 734-07	27	8	213056-91	09-009 814-82	35	34	213270	09-009 814-98	39	6
212145	09-009 734-08	27	7	*213057	09-009 814-83	35	35	213271	09-009 814-99	39	9
212147	09-009 734-10	27	36	213058	09-009 814-84	35	36	213272	09-009 815-01	39	11
212154	09-009 734-15	3	12	213059	09-009 814-85	35	45	213273	09-009 813-56	7	36
212179	09-009 734-32	25	30	213060-91	09-009 813-85	15	36	*213274-91Y	09-009 813-64	9	1
212186	09-009 734-34	13	5	213062	09-009 813-47	7	31	*213274A91Y	09-009 813-68	9	16
212188	09-009 734-35	35	18	213063	09-009 813-54	7	34	*213274B91Y	09-009 813-72	9	20
212281	91-179 362-95	5	23	213064	09-009 813-61	7	52	213275-91Y	09-009 813-87	17	1
212404B	09-009 814-45	27	22	*213066	09-009 813-42	7	25	213275A91Y	09-009 813-94	17	13
212405	09-009 734-40	27	25	213067	09-009 813-46	7	29	*230047	09-400 154-00	5	3
212408	09-009 734-42	31	14	*213069	09-009 813-43	7	26	231506	91-011 214-12	23	40
212409	09-009 734-43	31	18	213070-91	09-009 813-58	7	42	232508	09-400 156-00	23	3
212410	09-009 734-44	31	20	213076	09-009 813-21	7	18	240038	91-179 151-05	19	49
212416A	09-009 814-48	29	1	213077-91	09-009 813-39	7	22	240043	91-179 221-15	7	43
212419A	09-009 814-50	29	10	213078-91	09-009 814-91	37	19	240044	91-179 222-15	7	47
212420	09-009 734-52	33	31	213081	09-009 814-86	37	13	240052	91-179 447-05	5	6
212440	09-009 734-55	27	1	213082	09-009 814-87	37	14	240094	09-009 813-08	3	23
212445	09-009 734-56	27	29	213083	09-009 815-04	41	1	240097	09-400 164-00	37	7
212446	09-009 734-57	27	30	213084	09-009 814-59	31	22	240102	09-400 167-00	21	31
212447	09-009 734-58	27	26	213085A	09-009 814-66	33	13	240148	09-009 813-80	13	24
212503	09-009 804-31	15	22	213086	09-009 814-62	33	1	240162	09-009 813-45	7	28
212504	09-009 804-32	15	23	213087	09-009 814-75	33	44	240166	09-009 813-74	11	3
212635-ME	09-009 808-31	37	6	213088	09-009 814-76	33	47	240167	09-009 814-04	19	43
212668	09-009 804-59	33	37	213089	09-009 814-78	33	49	240168	09-009 814-01	19	38
212719A	09-009 808-61	33	35	213090	09-009 814-92	37	21	240169	09-009 814-29	23	49
212761-40	09-009 804-82	52		213091-91	09-009 814-89	37	16	240170	09-009 814-30	23	50
212764A30	09-009 815-50	52		213094-91	09-009 813-57	7	40	240171-92	09-009 814-10	23	5
212764A40	09-009 815-51	52		213095	09-009 814-95	37	37	240172	09-009 814-64	33	10
212764A50	09-009 815-52	52		213100-40	09-009 813-00	52		240174	09-009 813-44	7	27
212766B30	09-009 815-47	52		213101-16	09-009 812-98	52		240176	09-009 814-88	37	15
212766B40	09-009 815-49	52		213105	09-009 812-96	52		240189		13	27
212766B50	09-009 815-53	52		213106	09-009 812-94	52		240190	09-009 813-14	5	7
212785	09-009 804-83	13	37	213107	09-009 812-93	52		240192	09-009 814-90	37	18
212786-91	09-009 804-84	13	38	213108	09-009 812-97	52		240222	09-009 820-12	15	51
212972A91	09-009 820-02	35	5	213108A	09-009 816-70	52		256038	09-400 392-00	33	51
*212976	09-009 820-03	35	6	213110-30	09-009 815-35	52		301762	09-009 814-38	25	19
212978-91	09-009 820-04	35	50	213110-40	09-009 815-36	52		302486-40	09-009 815-54	52	
212979	09-009 820-05	35	51	213110-50	09-009 815-37	52		303312A	09-009 617-99	37	43
212980	09-009 820-06	35	52	213111-30	09-009 815-32	52		303313	09-009 618-00	37	44
212981	09-009 820-07	35	54	213111-40	09-009 815-33	52		304086	09-009 814-55	31	2
212983-91	09-009 820-08	35	13	213111-50	09-009 815-34	52		306920	09-400 437-00	7	32
212987	09-009 820-09	11	10	213112-30	09-009 815-20	52		307003	09-009 734-76	25	5
213002	09-009 813-07	3	18	213112-40	09-009 815-21	52		307003	09-009 734-76	27	28
213003	09-009 813-05	3	16	213112-50	09-009 815-41	52		307003	09-009 734-76	29	16
213004	09-009 813-06	3	17	213113-30	09-009 815-38	52		307003	09-009 734-76	29	22
*213005-CD	09-009 813-09	3	24	213113-40	09-009 815-39	52		307003	09-009 734-76	29	25
213010-91	09-009 813-65	9	2	213113-50	09-009 815-40	52		307003	09-009 734-76	31	16
213010A91	09-009 813-69	9	17	213114-16	09-009 815-26	52		307003	09-009 734-76	33	21
213012-92	09-009 813-66	9	3	213115-16	09-009 815-42	52		9A3002	09-009 814-81	35	27
213013-92	09-009 813-67	9	10	213150-10F	09-009 815-45	52					
213013A92	09-009 813-71	9	18	213151-10F	09-009 815-46	52					
213014-92	09-009 813-76	11	11	213152-13F	09-009 812-99	52					
213015	09-009 813-78	13	20	213153-13F	09-009 815-43	52					
213017-91	09-009 813-88	17	2	*213200-CD		3	1				
*213017-91	09-009 813-88	17	14	*213201-CD		3	7				
*213018-91	09-009 813-89	17	3	*213202-CD		3	2				
*213018-91	09-009 813-89	17	15	213204-CD	09-009 813-13	5	10				
*213020	09-009 813-90	17	4	213205-92	09-009 814-52	29	20				
*213020	09-009 813-90	17	16	213208-92	09-009 814-51	29	14				